



Your Sensor Partner

SECATEC electronic GmbH
Knappenstrasse 154
D-57581 Katzwinkel

phone: +49 2741 9460-0
fax: +49 2741 8501

mail: info@secatec.de
web: www.secatec.de

technical data

31.10.2013

ind. high-temp. prox. Switch

DC 3-wire

Sn 8 mm non flush M18 x 1

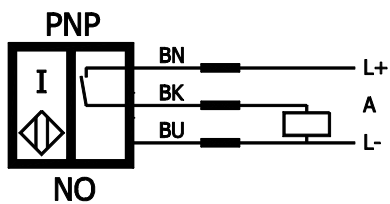
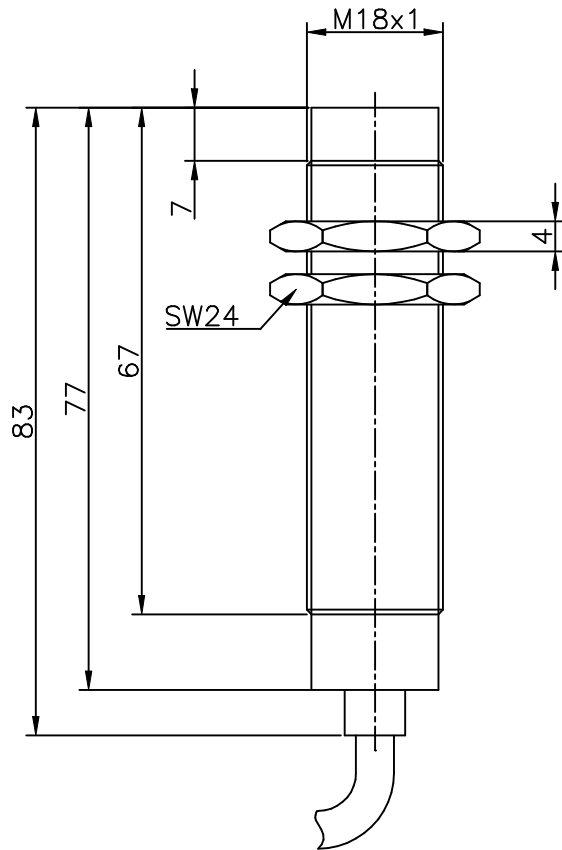
ident-no.:
45053_CO
type:
Conrad-Typ: 792351

revision index: 000

rated operating distance Sn / mounting	8 mm / non flush
assured operating distance Sa	≤ 6,4 mm
real switching distance Sr / standard target St37	7,2 - 8,8 mm
reduction factors, dependent on alloy	FE360 1,0
repeat accuracy R	≤ 0,02 x Sr
differential travel H	3...15 %
supply voltage UB	10 - 30 V DC
no-load supply current Io	≤ 10 mA
rated operational current Ie	max. 150 mA
voltage drop Ud	≤ 2,0 V at Ie = 150 mA
switching frequency f	max. 150 Hz
operating temperature range	-25°C ... +180°C
output	PNP-NO
short circuit protection / at current	integrated / min. --- mA
reverse polarity protection	integrated
norm conformity / EMC	EN 60947-5-2
dielectric test voltage ac (rms.) Ui	500 V
degree of protection acc. to DIN 60 529	IP67
on/off indication	---
connection	2m silicone-cable 3 x 0,25mm ²
housing material	stainless steel
fixing torque	max. 30 Nm

Applications are inadmissible when safety of persons depends on the function of the device.

SECATEC electronic GmbH reserves the right to change or discontinue these products without notice and does not assume any liability arising by use the product with non-compliance of this specifications.



Schutzvermerk nach DIN 34 beachten	(Zul.Abw.) Allgemeintol. nach DIN ISO 2768-m	Oberfläche nach DIN 3141	Maßstab 1:1 (Gewicht)		
	2013 Datum	31.10. Name	CS (Benennung)		
			Ind. Hochtemp. Sensor M18x1 Sn=8mm nbdg.	Blatt Bl.	
			(Zeichnungsnummer) 45053_CO		
Änderungsindex	Datum	Name	(Urspr.)	(Ers.f.:)	(Ers.d.):

Secatec
 electronic GmbH
 Knappenstraße 154
 D-57581 Katzwinkel
 (0049)02741/9460-0
 www.secatec.de