

1

2

3

4

5

6

7

A

A

B

B

C

C

D

D

E

E

F

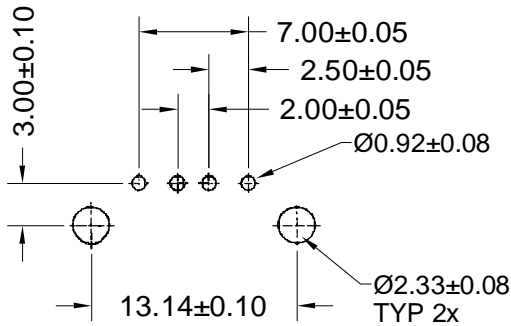
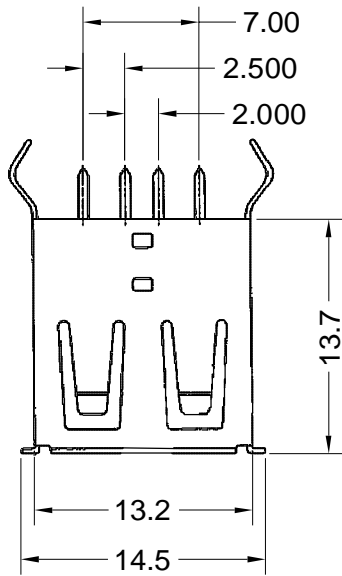
F

G

G

H

H

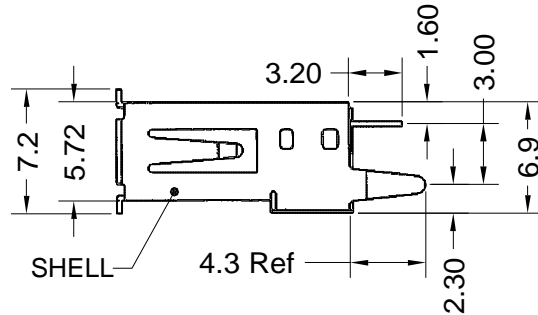
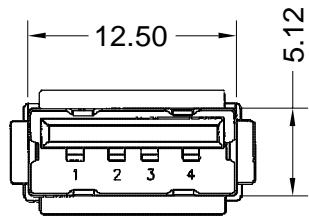


Recommended P.C. Board Layout

Materials:

Insulator: Glass Filled Polyester UL 94V-0
Color Beige

Contacts: Phosphor Bronze
Shell Plating: 80U" Nickel over 50U" Cu.



RoHS Compliant

UNLESS OTHERWISE SPEC
TOLERANCE
.X ±0.30
.XX ±0.20
.XXX ±0.10

UNIT: MM

	Date	Name	Part-No.	
Drawn	25.03.06	Alex	A-USB A-TOP-C	
			Drawing-No.	Sheet
ASSMANN WSW Components			ASS 1370B CO	1/1
			Replace dd 31.03.05	Sheet

1

2

3

4

5

6

7