

Sonpak LX 15/25/40

96231775 SONPAK LX 400W 230V HIT/E40/742 A/S

| | | | | | | | | |
|-----|----------------|----------|-------------------|------|------|---|----|--|
| E40 | HIT E27/E40 | 400W HIT | T _a 25 | IP65 | IK06 | ⊕ | CE | |
|-----|----------------|----------|-------------------|------|------|---|----|--|

A new range of easy to install performance floodlights supplied complete with lamp.

A redesigned robust and compact discharge floodlight with IP65 optical and gear compartment, SC1 class. black die-cast aluminium body with vandal resistant Flat Glass enclosure.

mild steel painted black stirrup.

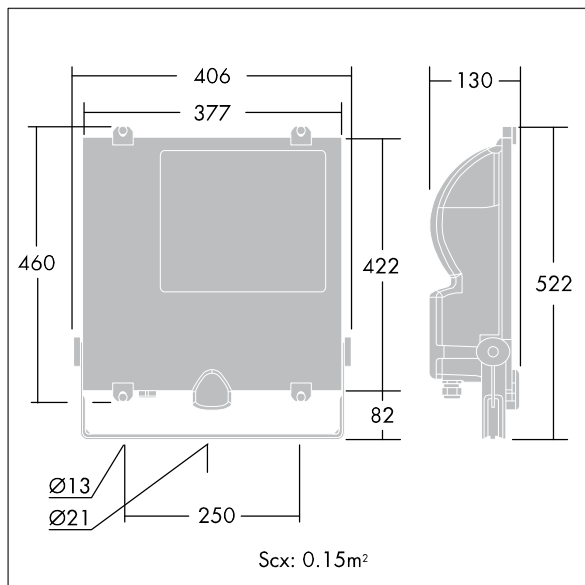
Sonpak LX 15/25/40 uses aluminium - texturebrite asymmetrical reflector and is supplied complete with integral control gear and 400 W HIT lamp.

Dimensions: 522 x 426 x 130 mm

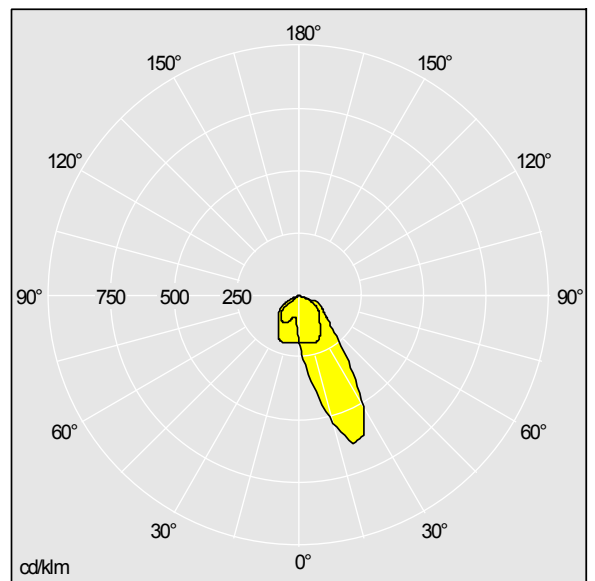
Weight: 8.9 kg.



TLG_SPK7_F_LX15.jpg



TLG_SPK7_M_LXLD15.wmf



TLG_LA_SE00015.ltd

Lamp position:STD - standard
Lamps:1 x HIT / 400W
Total luminous flux:34000 lm
Luminaire efficacy:57 lm/W
Colour Rendering Index min.:90
Ballast:MAG
Connected Load:430 W Lambda = 0.95
LOR: 0,72 ULOR: 0,00 DLOR: 0,72