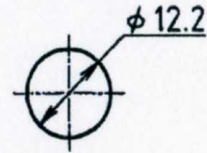
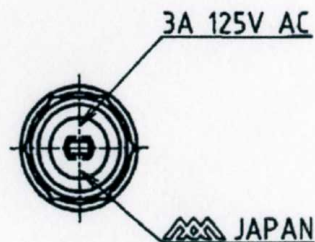
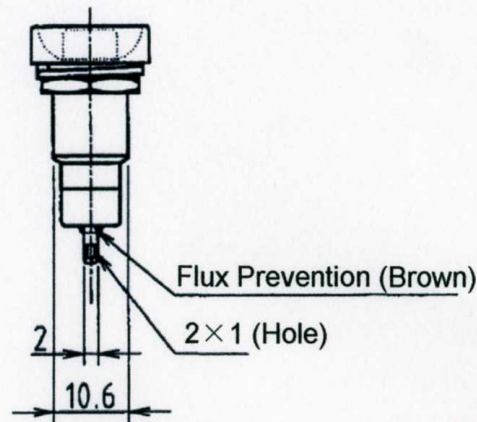


Unit : mm



Mounting Hole
Panel Thickness: 1~7mm



DATA SHEET

Model No.

DS-258 Push Button Switch

Button: Red, Black & Blue

Specifications :

Rating : 3A.125V AC

Circuit : OFF-ON SPST

Contact Resistance : 20m Ω or less

Insulation Resistance : DC500V Megger
100M Ω or more

Voltage Breakdown : AC1000V (1 minute)

Construction :

	Materials	Finish
① Panel	Al P	Each Color
② Button	ABS	Black
③ Body	POM	Black
④ Washer	Copper	Chromate
⑤ Nut	Copper	Ep-Fe/Ni
⑥ Base	Melamine	White
⑦ Terminals	Copper	Ep-Cu/Ag



MIYAMA ELECTRIC CO., LTD. TOKYO JAPAN