

Datasheet

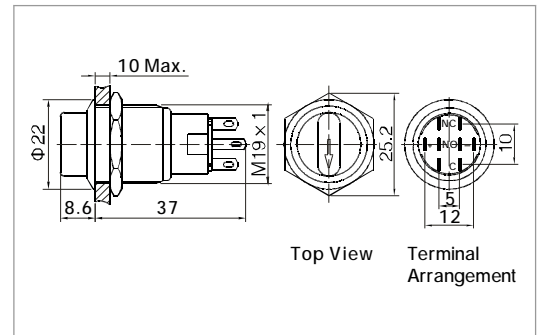
Item no. 701810/ 701825/ 701811/ 701812/ 701826/ 701813/
701814/ 701824

V1_0717_01_en

Metal (illuminated) selector



- ⊙ Φ 19mm diameter
- ⊙ Switch Rating: 5A/250VAC
- ⊙ Contact Configuration: 1NO1NC / 2NO 2NC
- ⊙ Two Position Remain / Three Position Remain
- ⊙ The crust material: Stainless Steel
- ⊙ Arrowhead Illuminated
- ⊙ IP Degree: IP67



701810 : Metal selector, Dia.19mm, 1NO1NC, 2 position Maintain, Stainless steel, 250 V AC imprint

701825 : Metal (illuminated) selector (blue color), Dia.19mm, 1NO1NC, 2 position Maintain, Blue 12V LED, Stainless steel, 250 V AC imprint

701811 : Metal (illuminated) selector (white color), Dia.19mm, 1NO1NC, 2 position Maintain, White 12V LED, Stainless steel, 250 V AC imprint

701812 : Metal selector, Dia.19mm, 2NO2NC, 3 position Maintain, Stainless steel, 250 V AC imprint

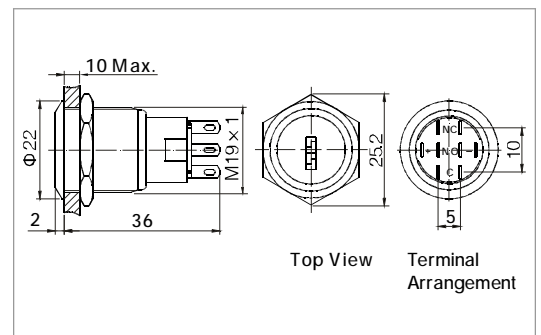
701826 : Metal (illuminated) selector (blue color), Dia.19mm, 2NO2NC, 3 position Maintain, Blue 12V LED, Stainless steel, 250 V AC imprint

701813 : Metal (illuminated) selector (white color), Dia.19mm, 2NO2NC, 3 position Maintain, White 12V LED, Stainless steel, 250 V AC imprint

Metal keylock switch



- ⊙ Φ 19mm diameter
- ⊙ Switch Rating: 5A/250VAC
- ⊙ Contact Configuration: 1NO1NC / 2NO 2NC
- ⊙ Two Position Remain / Three Position Remain
- ⊙ The crust material: Stainless Steel
- ⊙ IP Degree: IP65



701814 : Dia.19mm, 1NO1NC, 2 position Maintain, Stainless steel, 250 V AC imprint

701824 : Dia.19mm, 2NO2NC, 3 position Maintain, Stainless steel, 250 V AC imprint

Datasheet

Item no. 701810/ 701825/ 701811/ 701812/ 701826/ 701813/
701814/ 701824

V1_0717_01_en

Item no.		701810 701812 701825 701826 701811 701813	701814 701824		
The Front Shape		Selector	Key Lock		
Terminal Type		Pin Terminal(2.8×0.5mm)	Pin Terminal(2.8×0.5mm)		
Switching		No.3	No.3		
Max.Switch Rating		Ith:5A Ui:250VAC	Ith:5A Ui:250VAC		
Contact Resistance		≤ 50mΩ	≤ 50mΩ		
Insulation Resistance		≥ 1000MΩ	≥ 1000MΩ		
Dielectric Intensity		2000VAC	2000VAC		
Operating Temp		-20°C ~ +55°C	-20°C ~ +55°C		
Mechanical life		500,000cycles	500,000cycles		
Electrical life		50,000cycles	50,000cycles		
Panel Thickness		1 ~ 10mm	1 ~ 10mm		
Torque		5 ~ 14Nm	5 ~ 14Nm		
IP Degree		IP67	IP65		
Material	Contact	Silver Alloy	Silver Alloy		
	Button	Stainless Steel	Stainless Steel		
	Body	Stainless Steel	Stainless Steel		
	Base	PBT	PBT		
	RoHS	Yes	Yes		
LED Spec.	Type	Arrowhead(LED)	---		
	Rated Voltage	6V / 12V / 24V / 110V / 220V	---		
	Color	R G Y O B W	---		
	Life	40000 hours	---		
LAS1-AGQ State chart in operation	Position	Contact	Left	Center	Right
	90° Two position	1NO1NC			
		2NO2NC			
45° 3 Three position	2NO2NC				

This is a publication by Conrad Electronic SE, Klaus-Conrad-Str. 1, D-92240 Hirschau (www.conrad.com).

All rights including translation reserved. Reproduction by any method, e.g. photocopy, microfilming, or the capture in electronic data processing systems require the prior written approval by the editor. Reprinting, also in part, is prohibited. This publication represents the technical status at the time of printing.

© Copyright 2017 by Conrad Electronic SE.