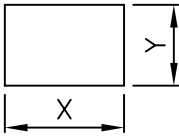
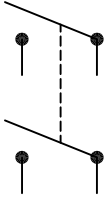
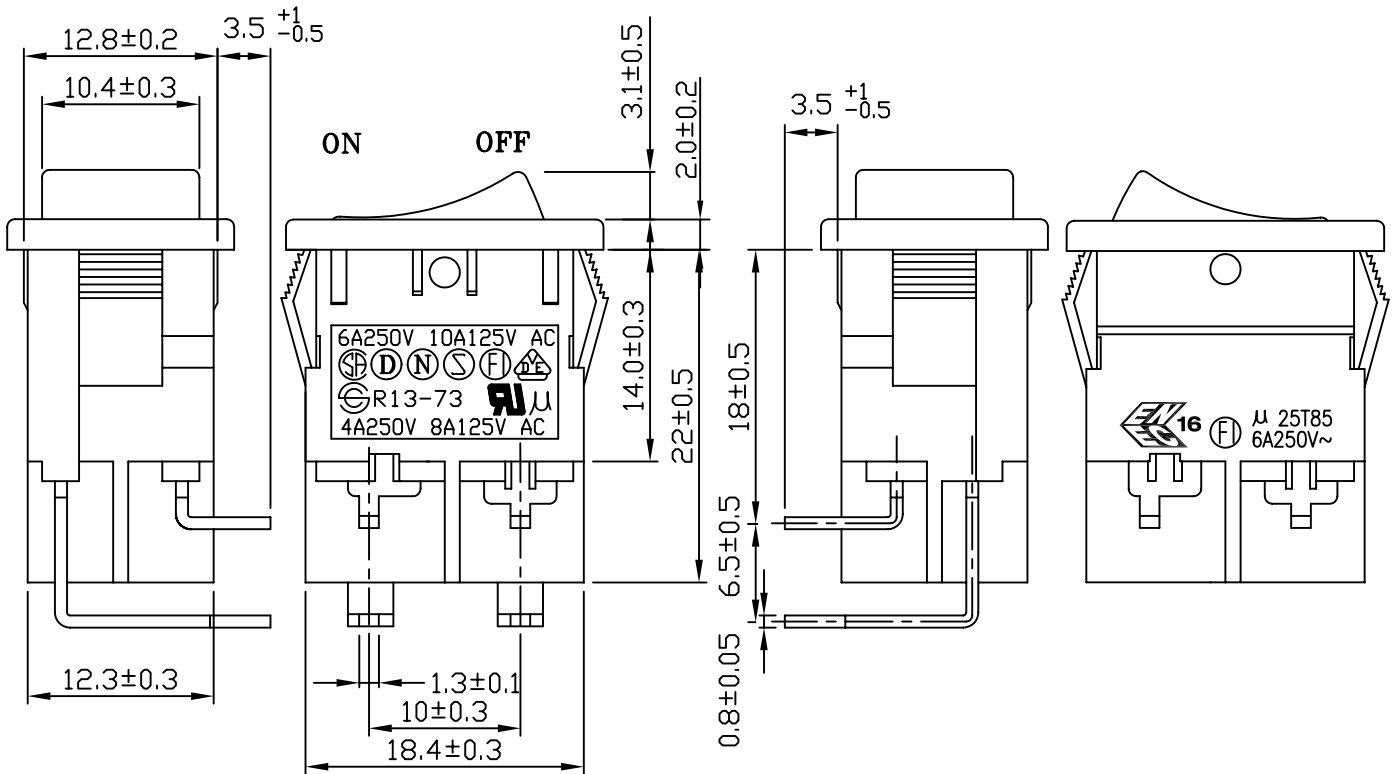
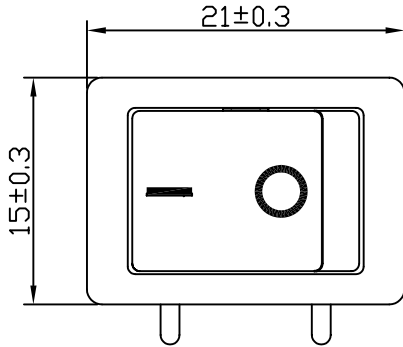


| | | | | |
|-----------------------|---|--|---|----------|
| Rating | UL 8A 125V,4A 250V AC CSA/VDE/①/②/③/④ 10A 125V,6A 250V AC | Mounting Hole | Circuit Diagram | |
| Contact R | 50m ohm Max. |  |  | |
| Insulation R | DC 500V 100M ohm Min. | | | |
| Dielectric Strength | AC 1500V 1 minute | Thickness | X | Y |
| Operating Temperature | -20°C~85°C | 0.75...1.25 | 19.2-0.1 | 13.1+0.1 |
| Circuit | 4P DPST ON-OFF | 1.25...2 | 19.4-0.1 | 13.1+0.1 |
| | | 2...3 | 19.8-0.1 | 13.1+0.1 |



C1\PDM\R13\R13-73A-10(1820635)外觀

| | | | | | | | | | | |
|-----------|-----------|--------------|--------------|---------|------------|--------------------|--|--|--|----|
| 08/15/'06 | 徐洲迎 | 本體刻字更新 | | | | | | | | |
| Date | Name | Descriptions | | | | | | | | NO |
| Drawing | Check | Approval | SCI No. | 1820635 | Model Name | ROCKER SWITCH | | | | |
| 徐洲迎 | 李元生 | 李景煌 | Customer No. | | Model No. | R13-73A-10 (6.5mm) | | | | |
| 08/15/'06 | 08/19/'06 | 08/22/'06 | Unit | mm | | | | | | |