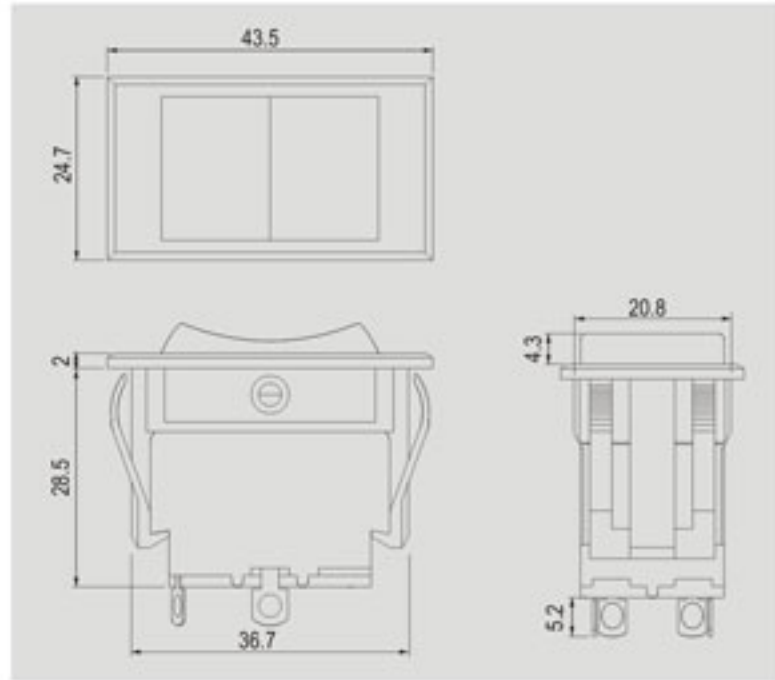


R13-129



Rating
15A 125V AC 10A 250V AC
Contact resistance
50mΩ Max
Insulation resistance
DC 500V 100MΩ Min
Dielectric strength
AC 1500V 1 minute
Cut-out



Terminal	X	Y
0.75-1.25	37.3-0.1	21.2+0.1
1.25-2	37.5-0.1	21.2+0.1
2-3	37.9-0.1	21.2+0.1

FEATURES

- * MATERIAL: Frames are nylon (UL flame: 94V-2). Terminals are nickel plated brass.
- * Phenolic base.
- * Snap-in mounting, easy to install switch into panel.
- * With waterproof rubber gasket.



R13-129 -

FUNCTION			TERMINAL
A	E	K	0 1 .250" SQ
B	F	M	0 5 SO
C	G		0 6 SC 3
D	H		

* () = momentary

