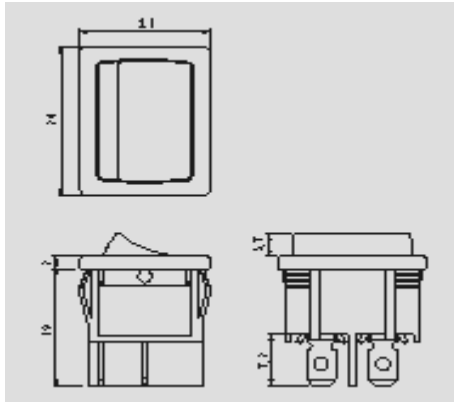


E67774LR45128 11037-4401

R13-33



Rating
 10A 125V AC
 6A 250V AC
 Contact resistance
 50mΩ [Max
 Insulation resistance
 DC 500V
 100MΩ [Min
 Dielectric strength
 AC 1500V 1 minute
 Cut-out

How to Order



FEATURES

- MATERIAL: Frames are nylon (UL flame: 94V-2). Terminals are silver plated brass.
- Illuminated actuators are molded in PC, available with red, amber, and green colors.
- Snap-in mounting, easy to install switch into panel.

X

Y

.2-0.	7.2-0.	.2-0.
	X	Y
0.75~1.25	19.4-0.1	22.2+0.1
1.25~2	19.6-0.1	22.2+0.1
2~3	20.2-0.1	22.2+0.1

R13-33

FUNCTION

TERMINAL



0 2 .187" Quick connect

0 5 Solder

* () =momentary

