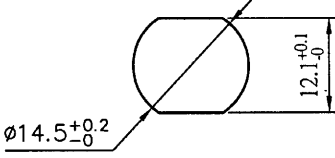
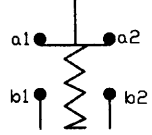
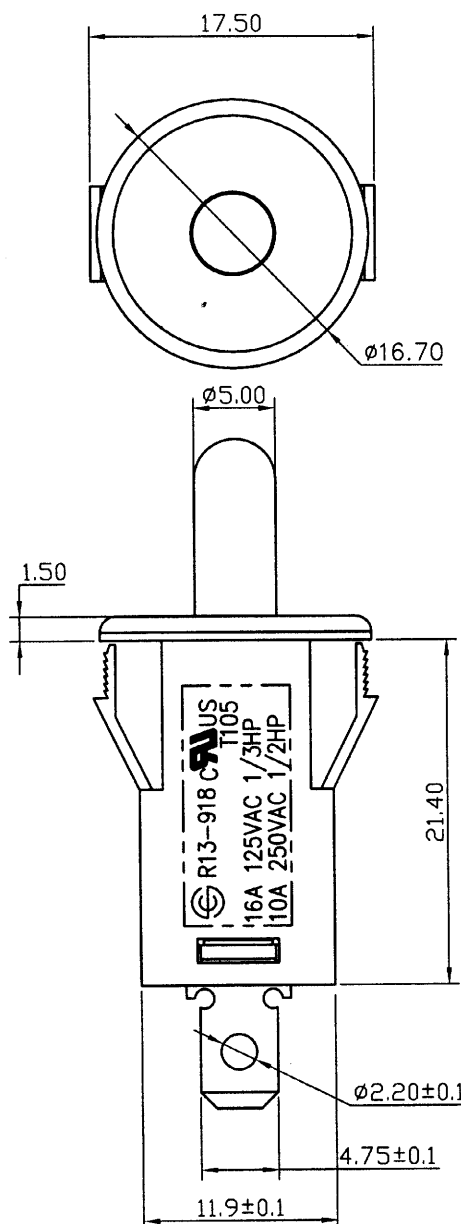
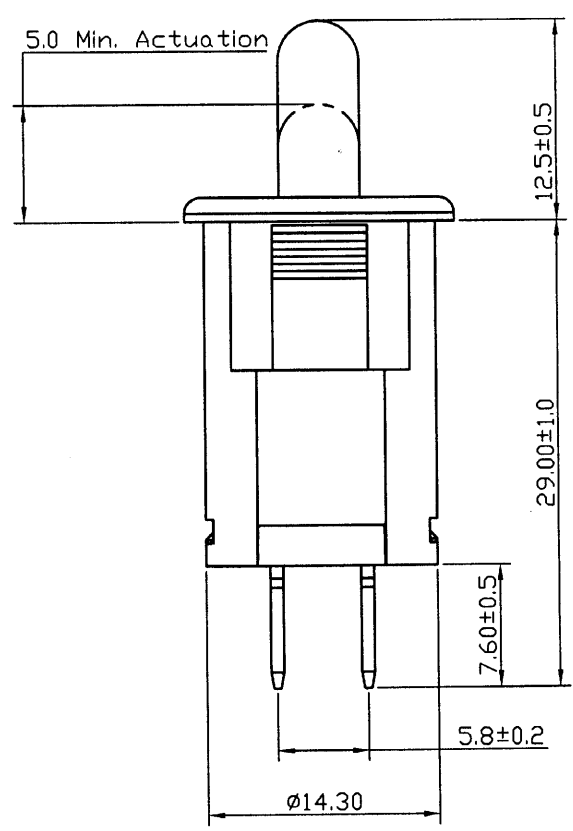


Rating	16A 125V AC 10A 250V AC	CS T105	Mounting Hole	Diagram
Contact Resistance	50m ohm Max.			
Insulation Resistance	DC 500V 100M ohm Min.			
Dielectric Strength	AC 1500V 1 minute			
Switch Function	2P SPST (ON)-OFF		Panel Thickness 0.8~3mm	



Material:
Frame: Nylon 66 94V-0 BK
Actuator: Nylon 66 94V-0 BK
Terminal: Silver Plated Brass
Operation Force: 250±50gf



Notes: Tolerance ±0.3 Unless Otherwise Specified

2	6/14'07	楊平	Add Operation Force Spec.			
1	4/20'07	楊平	Add UL Rating			
△	Date	Name	Description			
Drawn	Checked	Approved	SCI No.	1910034	Model Name	Push Switch
Kingjohn	研發部 2007-6		Customer No.		Model No.	R13-918B-02
07/03/'07	李元生		Unit	mm	SHIN CHIN INDUSTRIAL CO., LTD.	