

## Ferrule - AI 2,5 -18 GY - 3200072

Please be informed that the data shown in this PDF Document is generated from our Online Catalog. Please find the complete data in the user's documentation. Our General Terms of Use for Downloads are valid (<http://download.phoenixcontact.com>)



Ferrule, Length: 24 mm, Color: gray

The figure shows the version AI 0,75-10 GY

### Product Features

- The metal sleeves are made from soft tin-plated electrolytic copper
- The color code of the plastic insulating collar is based on the French standard NF C 63-023: 1994-02
- In terms of dimensions, these ferrules conform to DIN 46228-4: 1990-09

### Key commercial data

|                  |               |
|------------------|---------------|
| package_quantity | 100           |
| GTIN             | 4017918093723 |

### Technical data

#### Dimensions

|  |         |
|--|---------|
| Length (b)                                   | 24 mm   |
| Sleeve length                                | 18 mm   |
| Inner dimension of the insulating collar (d) | 4.2 mm  |
| Ferrule diameter                             | 2.3 mm  |
| Insulating collar thickness                  | 0.3 mm  |
| Sleeve wall thickness                        | 0.15 mm |

#### Ambient conditions

|                            |        |
|----------------------------|--------|
| Short-term temperature     | 120 °C |
| Max. permanent temperature | 105 °C |

#### General

|   |                                |
|---|--------------------------------|
| Color                                   | gray                           |
| Components                              | free from silicone and halogen |
| Inflammability class according to UL 94 | HB                             |
| Material                                | E-CU                           |

### classifications

eCl@ss

# Ferrule - Al 2,5 -18 GY - 3200072

## classifications

### eCl@ss

|            |          |
|------------|----------|
| eCl@ss 4.0 | 27060701 |
| eCl@ss 4.1 | 27060701 |
| eCl@ss 5.0 | 27400201 |
| eCl@ss 5.1 | 27400201 |
| eCl@ss 6.0 | 27400201 |
| eCl@ss 7.0 | 27400201 |
| eCl@ss 8.0 | 27400201 |

### ETIM

|          |          |
|----------|----------|
| ETIM 2.0 | EC000005 |
| ETIM 3.0 | EC000005 |
| ETIM 4.0 | EC000005 |
| ETIM 5.0 | EC000005 |

### UNSPSC

|               |          |
|---------------|----------|
| UNSPSC 6.01   | 30212109 |
| UNSPSC 7.0901 | 27121703 |
| UNSPSC 11     | 27121703 |
| UNSPSC 12.01  | 27121703 |
| UNSPSC 13.2   | 27121703 |

## approvals

CSA / CSAus / cCSAus /

### Approval details

|   |  |
|---|--|
|  |  |
| Nominal voltage UN  |  |
| Nominal current IN  |  |
| mm <sup>2</sup> /AWG/kcmil  |  |

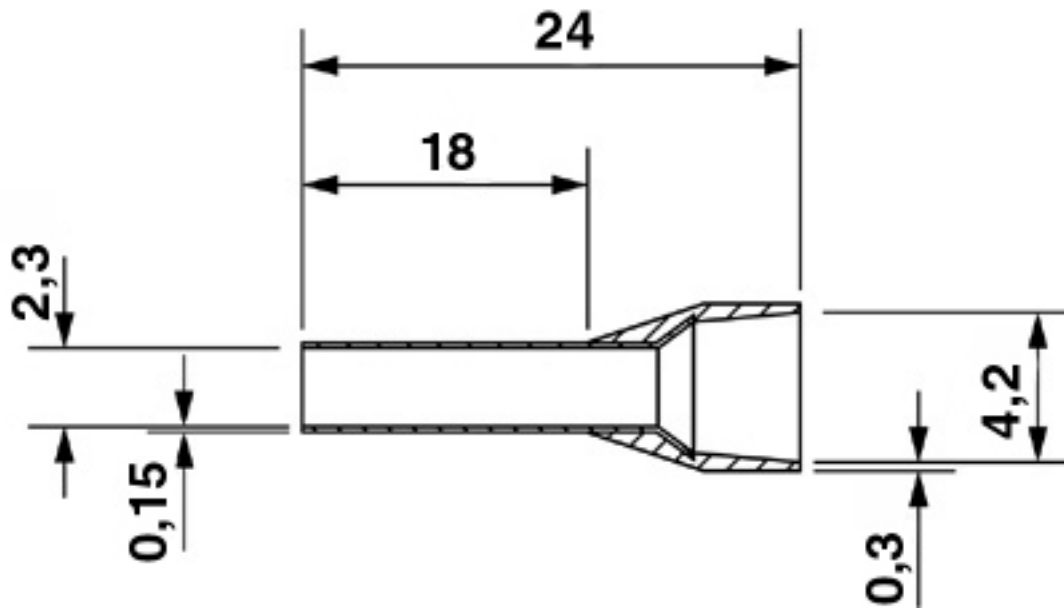
|                            |  |
|----------------------------|--|
| <b>CSAus</b>               |  |
| Nominal voltage UN         |  |
| Nominal current IN         |  |
| mm <sup>2</sup> /AWG/kcmil |  |

|               |
|---------------|
| <b>cCSAus</b> |
|---------------|

# Ferrule - Al 2,5 -18 GY - 3200072

## Drawings

Dimensioned drawing



© Phoenix Contact 2013 - all rights reserved  
<http://www.phoenixcontact.com>