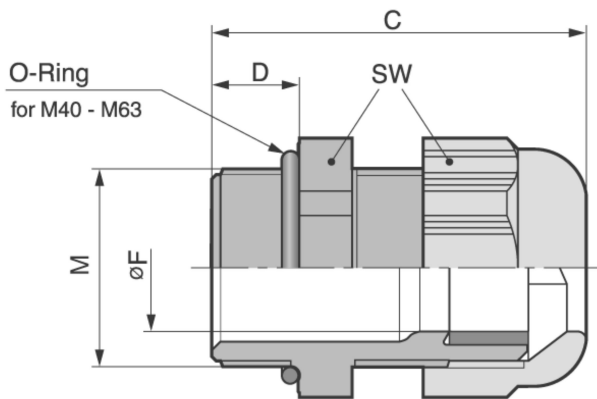
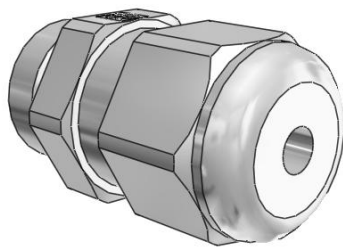


Product Description





Technical Data

ATN	53111410
M	M 16x1,5
FMIN	4.5
FMAX	10
F	4.5
SW	19
A	21.1
C	34
D	8
RAL7001	
RAL7035	X
RAL9005	
MATERIAL	Kunststoff