

A

B

C

D

E

F

G

H

1

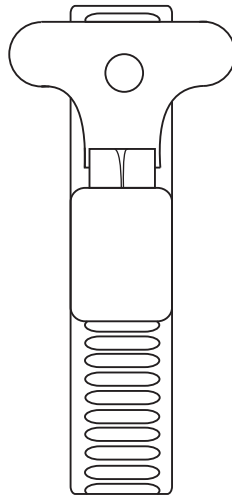
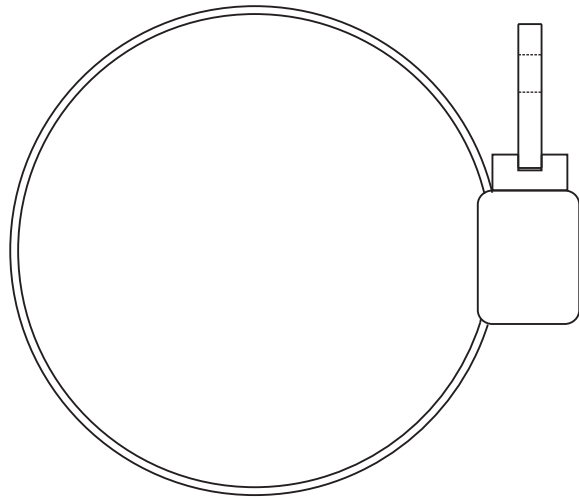
2

3

4

5

6



Model No	Band Wide	Clamp size
SUBHCM00	8	8-13
SUBHC000	8	10-16
SUBHC00	8	11-20
SUBHC0A	8	13-23
SUBHCM1	8	16-25
SUBHCM1	8	14-27
SUBHCM1X	8	18-32
SUBHCM1A	8	21-38
SUBHC1	12.7	14-27
SUBHC1X	12.7	18-32
SUBHC1A	12.7	21-38
SUBHC1B	12.7	21-44
SUBHC2	12.7	27-51
SUBHC2X	12.7	33-57
SUBHC2A	12.7	40-63
SUBHC2B	12.7	46-70
SUBHC3	12.7	52-76

Model No	Band Wide	Clamp size
SUBHC3X	12.7	59-82
SUBHC3A	12.7	65-89
SUBHC3B	12.7	72-95
SUBHC4	12.7	78-101
SUBHC4X	12.7	84-108
SUBHC4A	12.7	91-114
SUBHC4B	12.7	95-120
SUBHC5	12.7	105-127
SUBHC5X	12.7	110-134
SUBHC5A	12.7	118-140
SUBHC5B	12.7	125-146
SUBHC6	12.7	130-152
SUBHC6X	12.7	133-159
SUBHC6A	12.7	143-165
SUBHC6B	12.7	146-171
SUBHC7	12.7	155-178

MATERIAL:

BAND : #304 STAINLESS STEEL
HOUSING : GALVANIZED
SCREW : GALVANIZED

DATE	REVISION	APPROVAL BY	DIMENSION	mm (±1mm)	NAME	HOSE CLAMP
			DRAW BY	Camily		
			APPROVAL BY	Rikki		
			DATE	03 12 08		