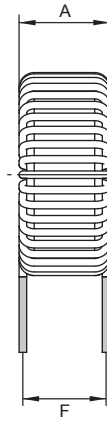
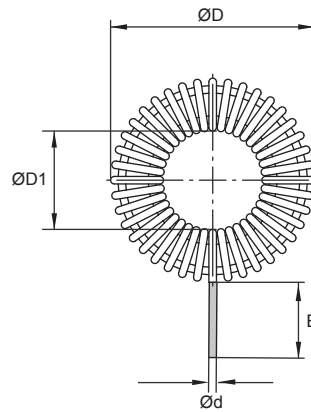


TLC/0.25A



Part No	Inductance (fL = 1 kHz)		Tol ± (%)	DCR max (mΩ)	Weight (grams)	Dimensions					SPQ: Loose / Box	
	At Idc=0A (μH)	At rated current (μH)				ØD max	F	A max	E	Ød		ØD1 min
TLC/0.25-100M-00	10	10.0	20	120	2.0	12	4	5	10	0.15	4.5	800
TLC/0.25-150M-00	15	14.9	20	150	2.0	12	4	5	10	0.15	4.5	800
TLC/0.25-220M-00	22	21.8	20	180	2.1	12	4	5	10	0.15	4.5	800
TLC/0.25-330M-00	33	32.6	20	215	2.1	12	4	5	10	0.15	4.5	800
TLC/0.25-470M-00	47	46.3	20	260	2.1	12	4	5	10	0.15	4.5	800
TLC/0.25-680M-00	68	66.5	20	305	2.2	12	4	5	10	0.15	4.5	800
TLC/0.25-101M-00	100	97.0	20	370	2.2	12	4	5	10	0.15	4.5	800
TLC/0.25-151M-00	150	143.5	20	455	2.3	12	4	5	10	0.15	4.5	800
TLC/0.25-221M-00	220	207.2	20	550	2.3	12.5	4	5	10	0.15	4.5	800
TLC/0.25-331M-00	330	303.3	20	675	2.4	12.5	4	5	10	0.15	4.5	800
TLC/0.25-471M-00	470	429.6	20	945	3.3	14	4.5	6.5	10	0.15	4.5	600
TLC/0.25-681M-00	680	602.5	20	1140	3.5	14	4.5	6.5	10	0.15	4.5	600
TLC/0.25-102M-00	1000	849.0	20	1370	3.6	14	4.5	6.5	10	0.15	4.5	600

Material : Iron Dust

Toroid Line Chokes