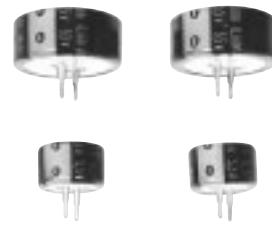


Stacked Coin Type

Series: **F**



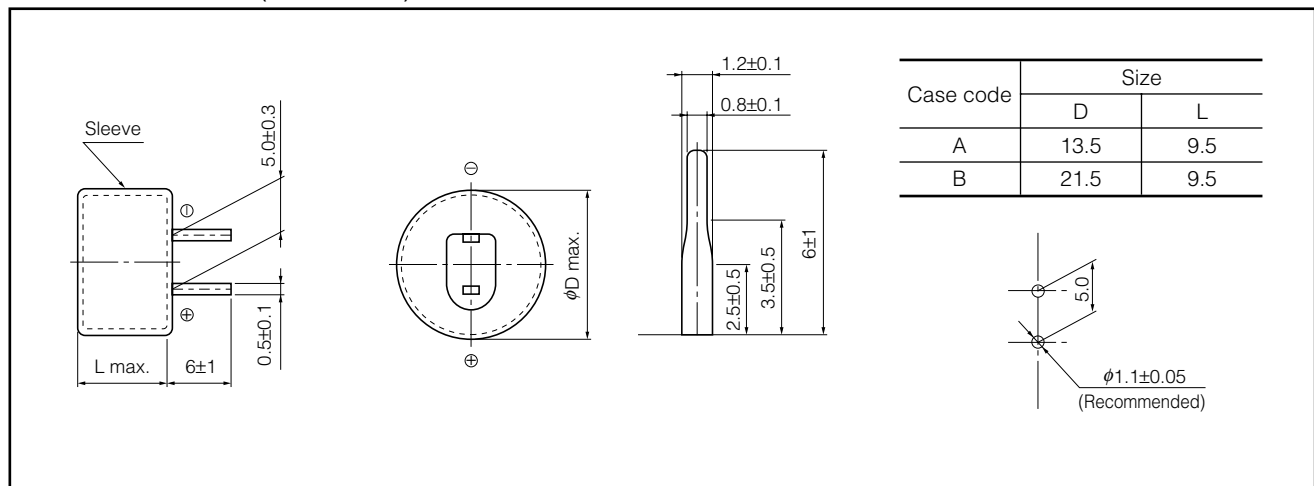
■ Features

- Endurance : +85 °C 1000 h
- RoHS directive compliant

■ Specifications

| | | |
|------------------------------------|---------------------------------------------------------------------------------------------------------------|--------------------------------------------------------------|
| Category Temp. Range | -25 °C to +85 °C | |
| Maximum Operating Voltage | 5.5 V.DC | |
| Nominal Cap.Range | 0.033 F to 1.0 F | |
| Characteristics at Low Temperature | Capacitance change | ±30 % of initial measured value at +20 °C (-25 °C to +85 °C) |
| | Internal resistance | ≤5 times of initial measured value at +20 °C (at -25 °C) |
| Endurance | After 1000 hours application of 5.5 V. DC at +85 °C, the capacitor shall meet the following limits. | |
| | Capacitance change | ±30 % of initial measured value |
| | Internal resistance | ≤4 times of initial specified value |
| Shelf Life | After 1000 hours storage at +85 °C without load, the capacitor shall meet the specified limits for Endurance. | |

■ Dimensions in mm(not to scale)



■ Standard Products

| Maximum Operating Voltage (V.DC) | Capacitance (F) | Capacitance range (F) | Internal resistance (Ω) at 1kHz | Case code | Part number | Min. Packaging Q'ty | |
|-------------------------------------|--------------------|--------------------------|------------------------------------|-----------|-------------|---------------------------|---------------------------------------|
| | | | | | | Quantity per box (pcs) | Quantity per outer packaging (pcs) |
| 5.5 | 0.033 | 0.0264 to 0.0594 | ≤ 150 | A | EECF5R5H333 | 200 | 2000 |
| | 0.047 | 0.0376 to 0.0846 | ≤ 120 | A | EECF5R5H473 | 200 | 2000 |
| | 0.10 | 0.080 to 0.180 | ≤ 100 | A | EECF5R5H104 | 200 | 2000 |
| | 0.47 | 0.376 to 0.846 | ≤ 75 | B | EECF5R5H474 | 100 | 500 |
| | 0.68 | 0.476 to 1.224 | ≤ 50 | B | EECF5R5H684 | 100 | 500 |
| | 1.00 | 0.80 to 1.80 | ≤ 50 | B | EECF5R5H105 | 100 | 500 |

Note : Do not use reflow soldering. (IR, Atmosphere heating methods, etc.)
Please refer to P197 "Mounting Specifications".

Design and specifications are each subject to change without notice. Ask factory for the current technical specifications before purchase and/or use.
Should a safety concern arise regarding this product, please be sure to contact us immediately.