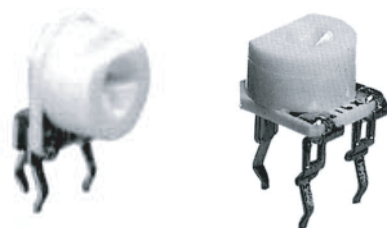




Miniature Cermet, Carbon-Ceramic Trimmer Potentiometers

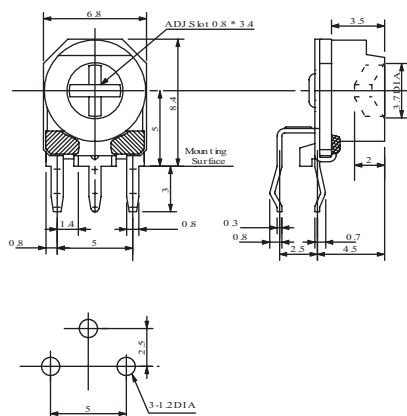
■ Features

- Adjustment screw, either ⊕ ⊖ is available
- Automatic adjustable
- Endurance to environmental test

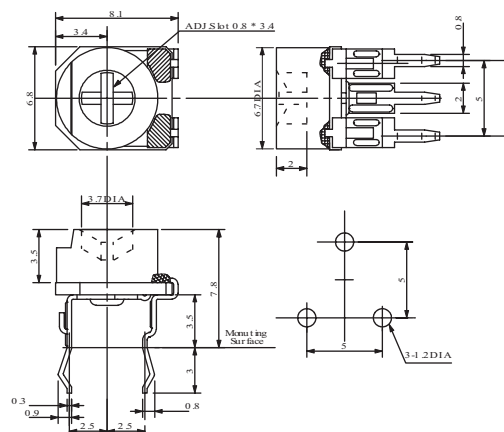


■ Dimensions (Unit: mm)

TH1



TL1



■ Specification

Item	Specification	Unit	Note
Resistance Range	100 ~ 1 M(1,2,3,5 Series)	Ω	
Resistance Tolerance	±25	%	
Residual Resistance	Within 1% of total Resistance Value 1 kΩ: 10 Ω Max. 100 kΩ < 5% Max.	%	
Power Rating	VZ Type 0.1 (at 70°C) 0 (at 100°C) VG Type 0.2 (at 70°C) 0 (at 100°C)	W	
Max. Working Voltage	100V or \sqrt{PR} = V whichever is smaller	V	
Temp. Range	-25 ~ +100	°C	
Temp. Coefficient	±250	ppm/°C	VG Type
Noise(Contact Resistance Variation)	Within 4% of total Resistance Value	%	
Rotation Angle	240±10	°	
Operation Torque	2.94 ~ 29.4	m N•m	
Stop Strength	49.0 Min.	m N•m	

■ Model Designation

