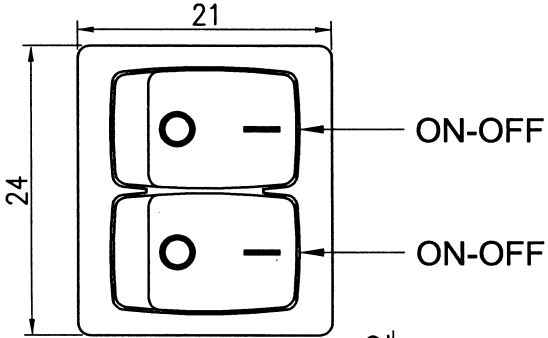
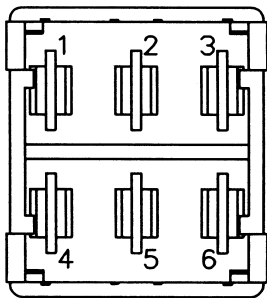
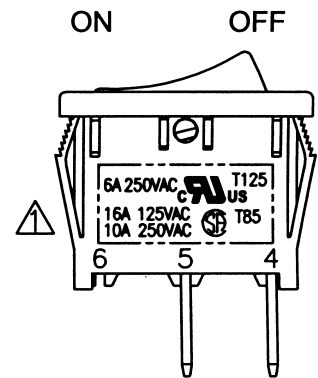
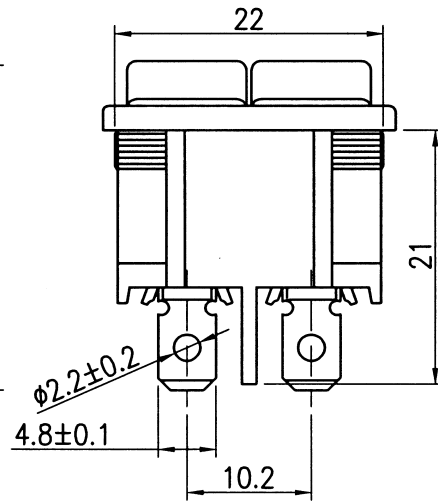
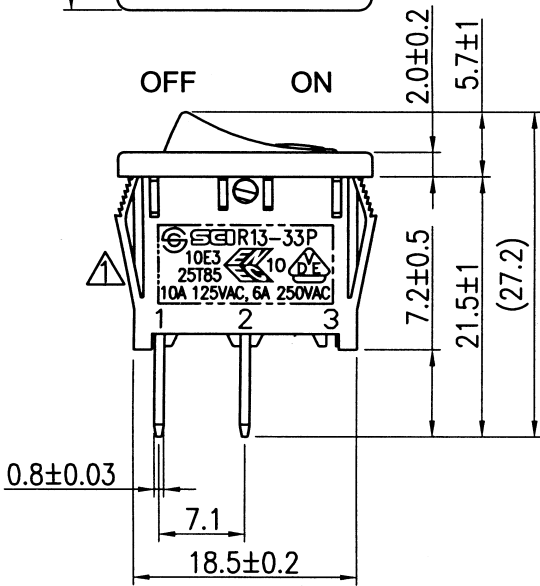


Rating	6A 250VAC		Mounting Hole	Circuit Diagram	
	16A 125VAC/10A 250VAC				
Contact Resistance	50mm ohm Max				
Insulation Resistance	DC 500V 100M ohm Min.				
Dielectric Strength	AC 1500V 1 minute.		Thickness	X	Y
Operation Temperature	-20°C~85°C		0.75...1.25	19.2-0.1	22.2+0.1
Switch Function	2P SPST ON-OFF		1.25...2.0	19.4-0.1	22.2+0.1
	2P SPST ON-OFF		2.0...3.0	19.8-0.1	22.2+0.1



Material:
 Frame: Black, Nylon 66 (94-V2)
 Actuator: Black, Nylon 66 (94-V2)
 Hot stamping: White, ○ —



Tolerances Unless Otherwise Specified ±0.3

01/08/'13	雷云飞	更新安規刻字.							△
Date	Name	Description					No.	△	
Drawn	Checked	Approved	SCI BOM No.	1825221	Model Name	ROCKER SWITCH			
雷云飞			Customer No.		Model No.	R13-33PAA-02	Rev.		
01/08/'13		1/8-'13	Unit	mm	Shin Chin Industrial Co., Ltd.			X1	