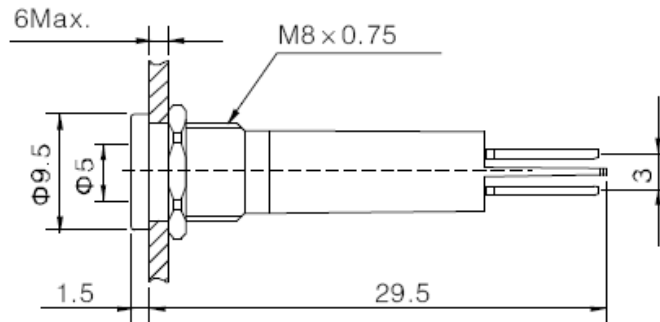


## Datasheet

Item no. 1605969 – Red      1605970 – Green  
 1605971 – Blue            1605972 – White

V1\_11172017\_01\_en



6 MAX: means the panel thickness, the max thickness for the panel no more than 6mm.

### LED Indicator

Mounting Diameter	:8 mm
LED colour	:b/n 1605969 – Red b/n 1605970 – Green b/n 1605971 – Blue b/n 1605972 – White
LED Voltage	:24V AC/ DC
Forward Current	:25 mA
Forward Voltage	:2.1 V – Red 3.1 V – Green/ Blue/ White
Light Intensity	:b/n 1605969 – 70 mcd b/n 1605970 – 200 mcd b/n 1605971 – 60 mcd b/n 1605972 – 350 mcd
Head Shape	:Flat
Body Material	:Stainless Steel
Base Material	:PA
LED Life	:40,000 hours
Operating & Storage Temperature	:-20°C to 55°C
Operating & Storage Humidity	:45 -85% RH