

Preliminary Product Information Sheet

SWITCH MINI

New!

SMART+



Most important technical data

Power supply	1x CR2450 battery
Battery Lifetime	Minimum 3 years
No. of Push Buttons	3
No. of Functions	2 per button = short tap & long press
Dimensions (l/w/h)	80 x 40 x 14 mm
Mounting	Wallmount via 1 screws
Protection class	IP20
Weight	43 g
EAN10 white	4058075816473
EAN10 black	4058075051935
EAN10 silver	4058075051959
EAN10 blue	4058075051973

Product characteristics

- Wall mount switch and remote control in one device to control smart devices without a smart phone
- Simple wall mount for quick release and remote use
- 3 buttons for 6 functions (short press and long press)

Benefits & Features

- No smartphone needed to control SMART+ lamps & luminaires
- Smart ready via TouchLink: direct, gateway-free operation with <=10 lights
- If connected via cloud : fully customizable button function
- Once configured via cloud: internet-free usage possible

Applications

- Residential Lighting and smart home

Works with

- Lightify
- More soon



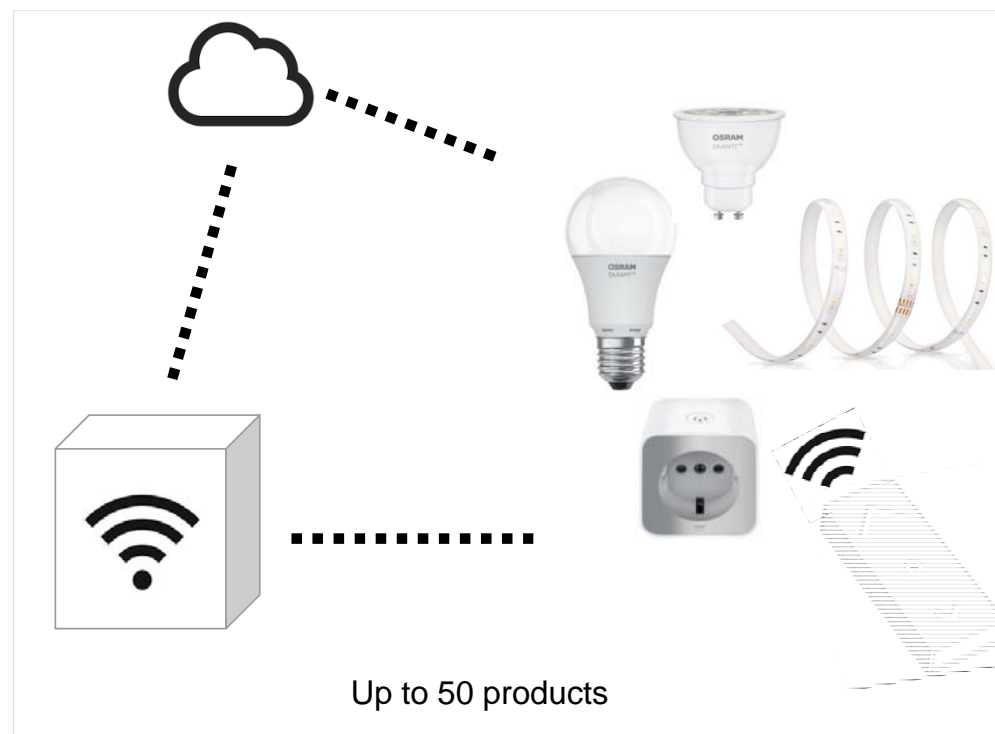
Preliminary Product Information Sheet SWITCH MINI – 2 SET-UPS POSSIBLE

SMART+

Connect directly to any SMART+ lamp, Luminaire and the Plug via “TouchLink”



Connect via Cloud & app for extended Smart Home experience



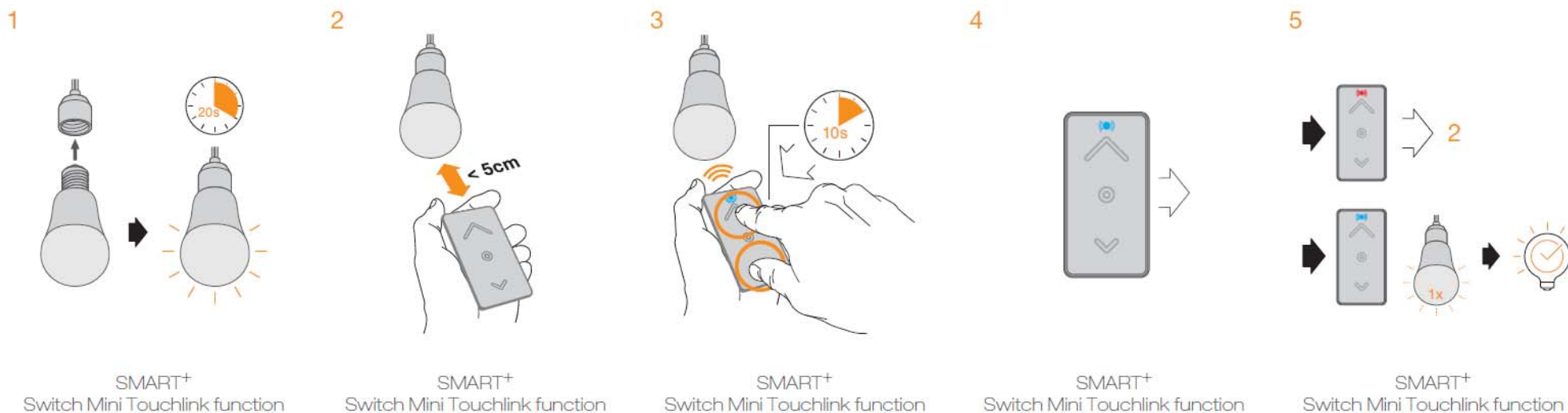
Preliminary Product Information Sheet

SWITCH MINI – DIRECT CONNECTION “TouchLink”



TOUCHLINK

Thanks to the TouchLink protocol feature, you can connect the Switch Mini directly with any SMART+ Lamp, luminaire and the plug. Just follow this procedure :



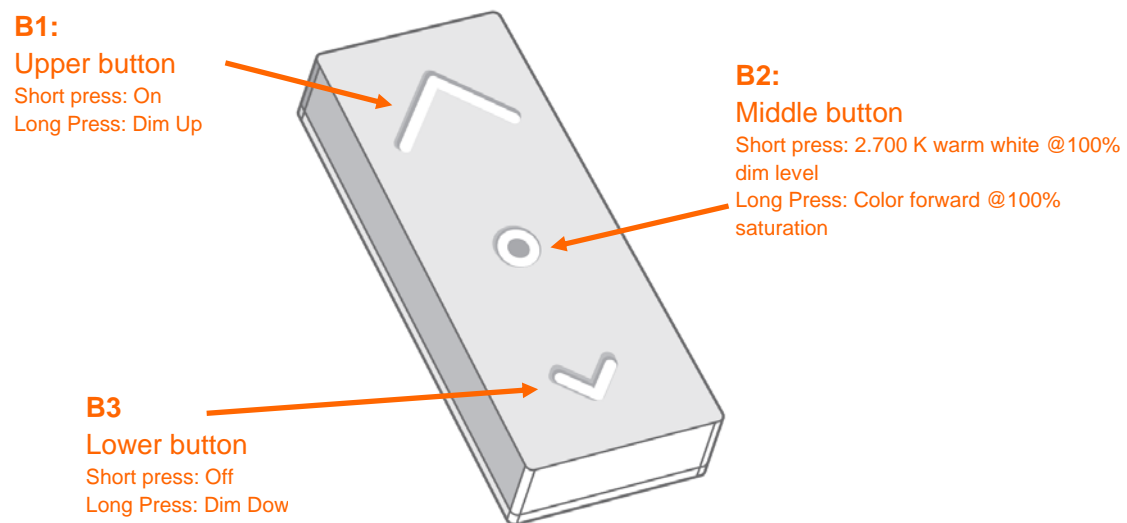
You can connect to your Switch Mini up to 10 devices and control them simultaneously.

You need more smart experience? Just upload your switch for example into the LIGHTIFY app : there you can customize the switch functions and control up to 50 devices!

Preliminary Product Information Sheet

SWITCH MINI – LIGHT CONTROL FUNCTIONS

The Switch Mini is set-up per default with following functions:



Preliminary Product Information Sheet

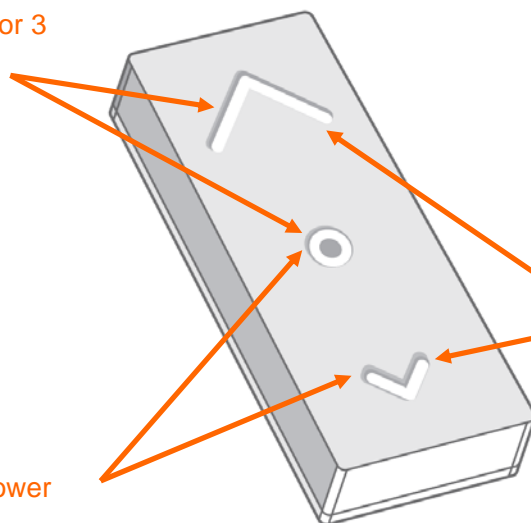
SWITCH MINI – ADVANCED FUNCTIONS

SMART⁺



Enter configuration mode (when connected to the cloud):

Middle button + upper button for 3 seconds



Reset:

Press middle button + lower button for 10 seconds

Activate Touchlink:

Upper button + lower button for 3 seconds

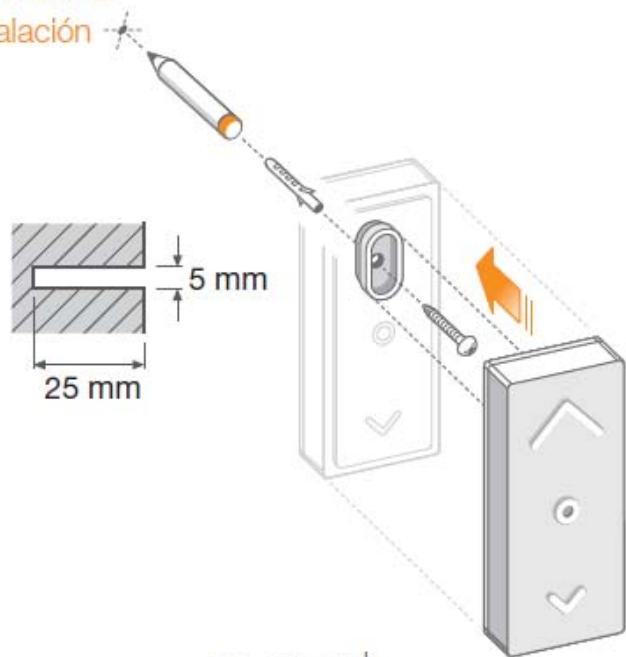


Preliminary Product Information Sheet

SWITCH MINI - INSTALLATION

SMART⁺

Installation
Montage
Installation
Installazione
Instalación



SMART⁺
Switch Mini

Change the battery
Wechseln der Batterie
Changer la batterie
Cambiare la batteria
Cambiar la batería

