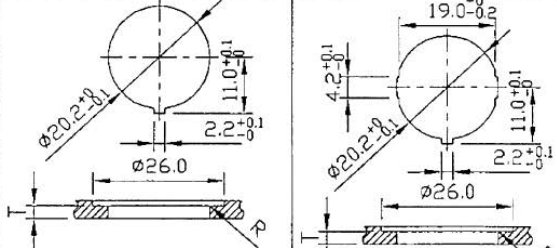
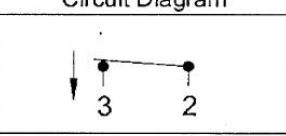
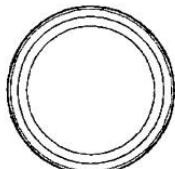
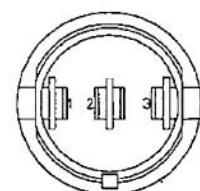
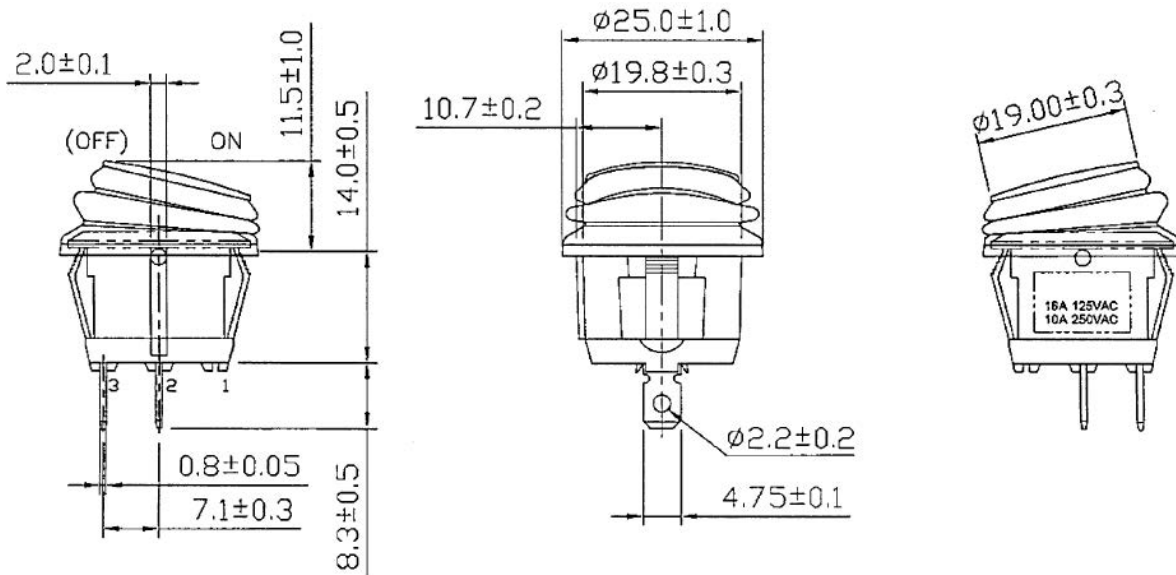


ROCKER SWITCH 10A 250V ON-(OFF) IP65

Rating	16A 125VAC, 10A 250VAC	 <p>Thickness: 1.5~2.5</p> <p>Thickness: 0.7~2.5</p>
Contact Resistance	50m ohm Max.	
Insulation Resistance	DC 500V 100M ohm Min.	
Dielectric Strength	AC 1500V 1 minute	
Operation Temperature	-25°C~85°C	
Switch Function	2P SPST ON-(OFF)	
		 <p>Circuit Diagram</p>
 <p>*MATERIAL: Frame: Black, Nylon 66 (94-V2) Actuator: Black, PC (94-V2) Waterproof rubber: Black, Silicone Terminals: Silver plated, Copper alloy Hot Stamping: None Waterproof: IP65</p>		



Unit: mm

This is a publication by Conrad Electronic SE, Klaus-Conrad-Str. 1, D-92240 Hirschau (www.conrad.com).

All rights including translation reserved. Reproduction by any method, e.g. photocopy, microfilming, or the capture in electronic data processing systems require the prior written approval by the editor. Reprinting, also in part, is prohibited. This publication represents the technical status at the time of printing.

© Copyright 2017 by Conrad Electronic SE.