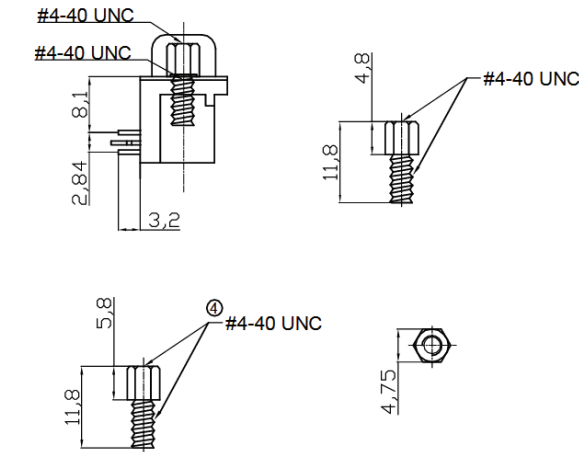
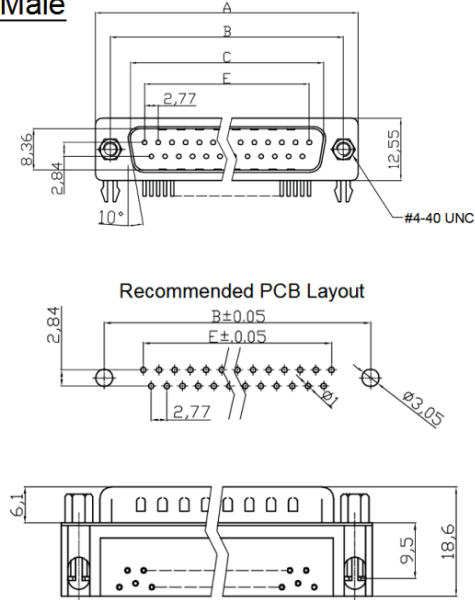


Male



Dimensions

Positions	A	B	C	E
25	53.05	47.04	38.96	33.24

NOTES:

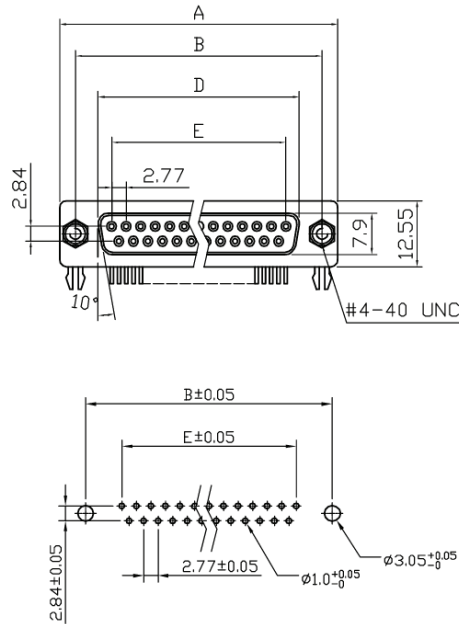
MATERIAL

1. Insulator Material: Glass-Filled Thermoplastic PBT, UL 94V-0, Black
2. Contact Material: Brass
3. Contact plating: Gold flash full gold
4. Shell: Steel, 100u" Tin over 50u" min copper
5. Clinch Nut: Copper alloy, Nickel plated
6. Boardlock: Brass, Tin plated
7. Screwlock: Steel, Nickel plated

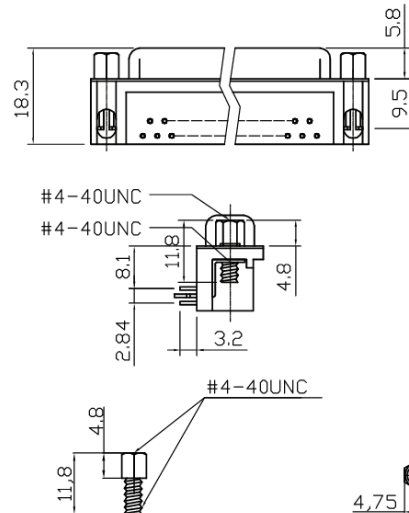
ELECTRICAL

1. Current Rating: 3AMP
 2. Voltage Rating: 250V AC/rms 60Hz
 3. Contact Resistance: 20mΩ max at 1 AMP DC
 4. Insulation Resistance: 1000MΩ at 500 V DC
 5. Withstand Voltage: 1000V AC/rms 60Hz for 1 minute
 6. Operating Temperature: -55°C~+105°C
- UL No. E149426

Female



RECOMMENDED PCB LAYOUT



Dimensions

Positions	A	B	D	E
25	53.05	47.04	38.40	33.24

Product Specification

- Material**
 Insulator: Glass-Filled thermoplastic PBT UL94V-0 Black
 Contact: Copper alloy
 Contact Plating: Gold flash full gold

- Shell: Steel, 100u" Tin over 50u" min copper
 Boardlock: Brass, Tin Plated
 Screwlock: Steel, Nickel Plated

Electrical

- Contact Resistance: 20 milliohms Max at 1 AMP DC.
 Insulation Resistance: 1000 megohms at 500 VDC
 Dielectric Withstanding Voltage: 1000 VAC/rms 60Hz for 1 minute
 Current Rating: 3AMP
 Voltage Rating: 250 VAC/rms 60Hz
 OPERATING TEMPERATURE: -55°C~+105°C
 UL No. E149426