

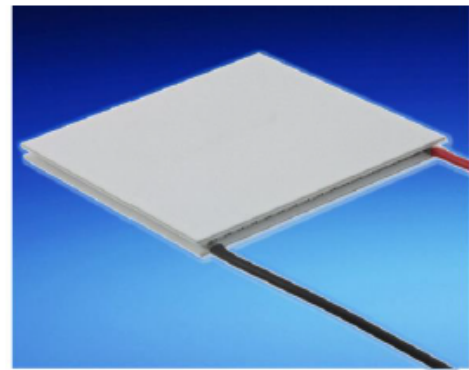
Thermoelectric Cooler

Thermoelectric Cooler Performance Specifications

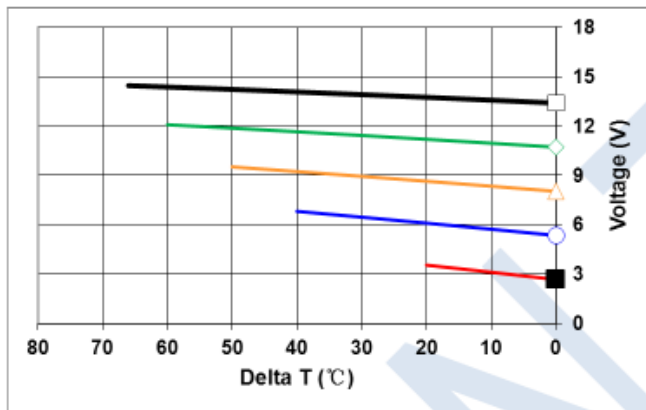
HP-127120-40X40 W150mm

Hot Side Temperature(°C)	25 °C	50 °C
Qmax (Watts)	106	115
Delta Tmax(°C)	68	75
I _{max} (Amps)	12	12
V _{max} (Volts)	14.5	16.4
Module Resistance(Ohms)	1.08	1.22

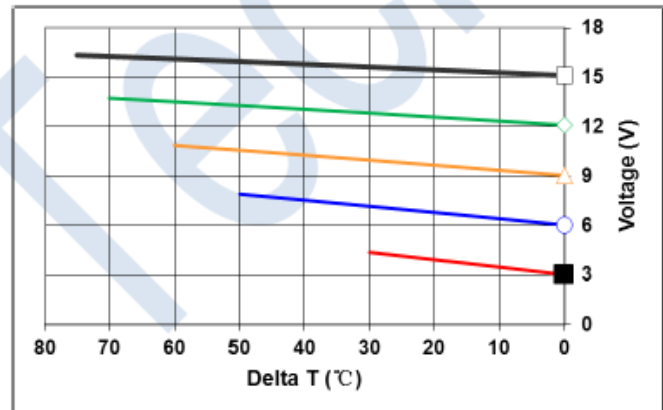
**Tolerances for thermal and electrical parameters ± 10%.



Performance Curves Th=25 °C



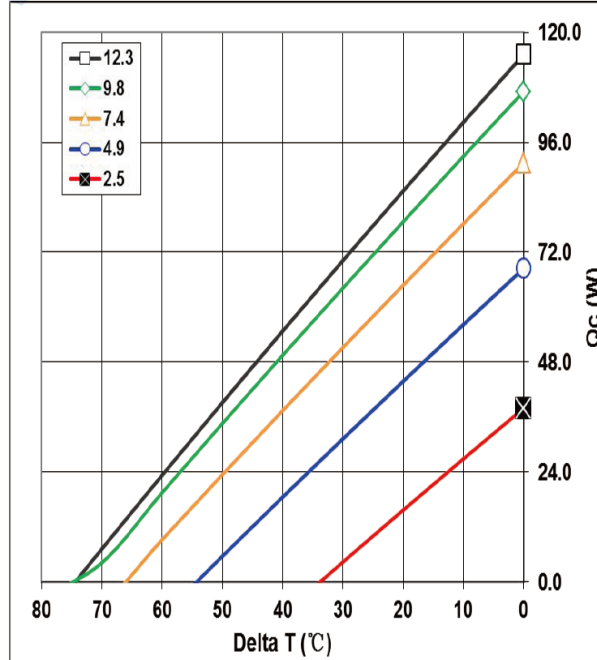
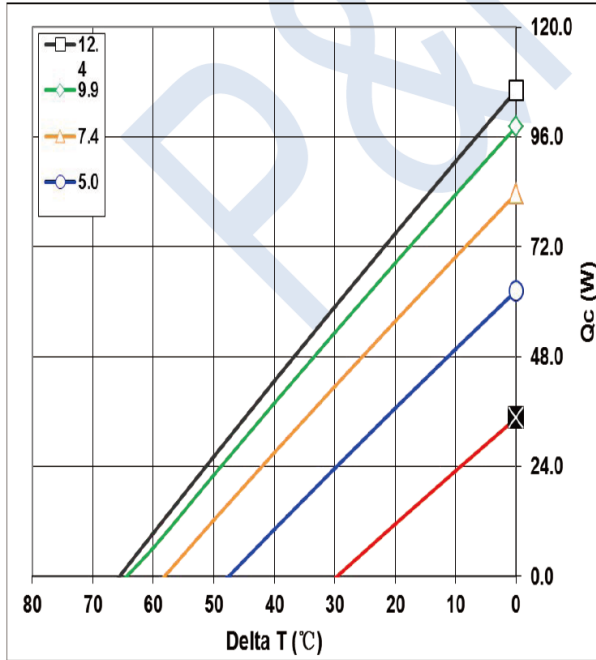
Performance Curves Th=50 °C



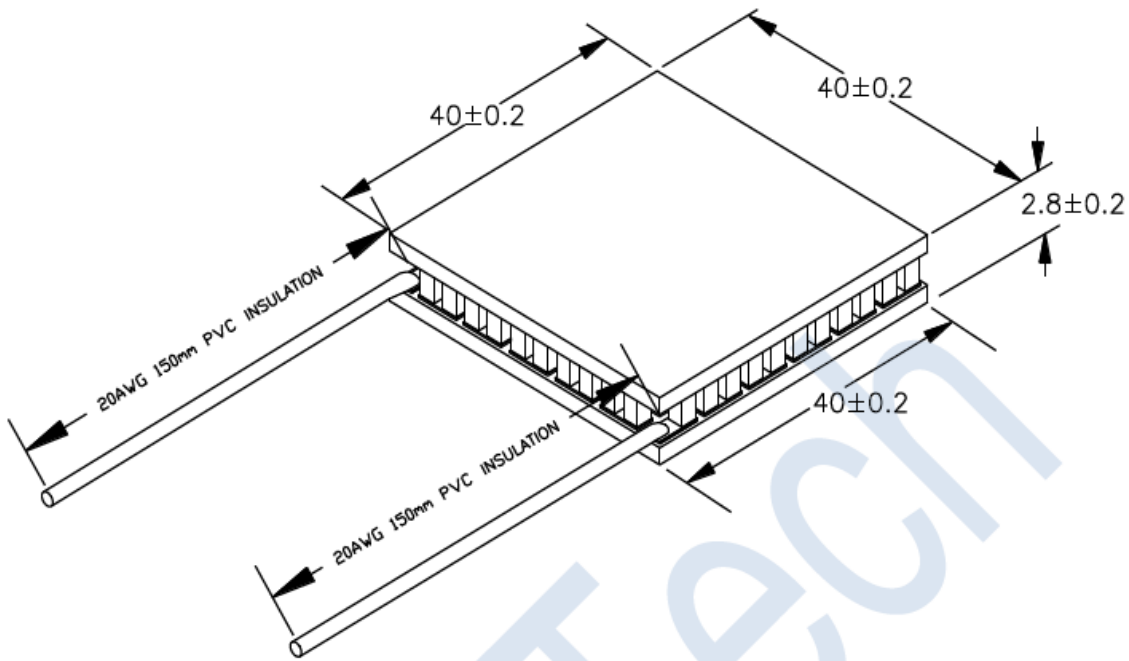
Datasheet

Item no. 1572742

V1_12102018_01_en



Mechanical Drawing:



This is a publication by Conrad Electronic SE, Klaus-Conrad-Str. 1, D-92240 Hirschau (www.conrad.com).

All rights including translation reserved. Reproduction by any method, e.g. photocopy, microfilming, or the capture in electronic data processing systems require the prior written approval by the editor. Reprinting, also in part, is prohibited. This publication represents the technical status at the time of printing.

Datasheet

Item no. 1572742

V1_12102018_01_en

Operation Tips:

- Max Operating Temperature: **90°C**.
- Do not exceed I_{max} or V_{max} when operating module.

This is a publication by Conrad Electronic SE, Klaus-Conrad-Str. 1, D-92240 Hirschau (www.conrad.com).

All rights including translation reserved. Reproduction by any method, e.g. photocopy, microfilming, or the capture in electronic data processing systems require the prior written approval by the editor. Reprinting, also in part, is prohibited. This publication represents the technical status at the time of printing.

© Copyright 2018 by Conrad Electronic SE.