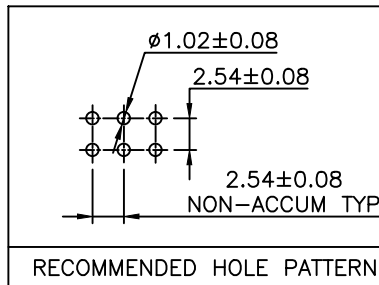
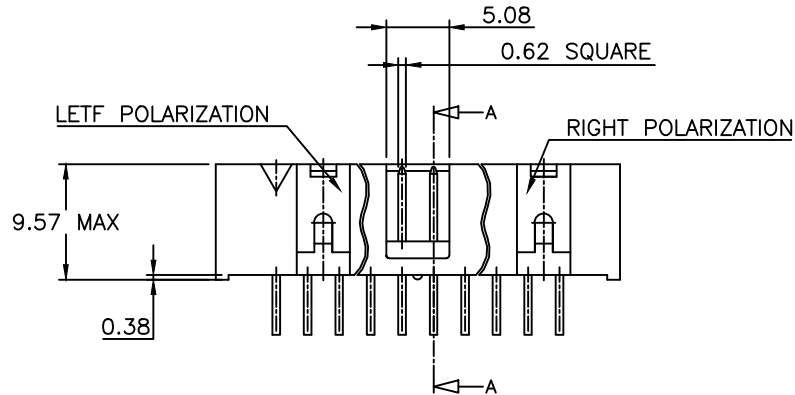
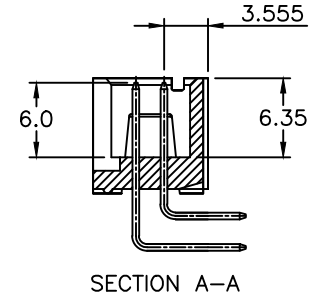
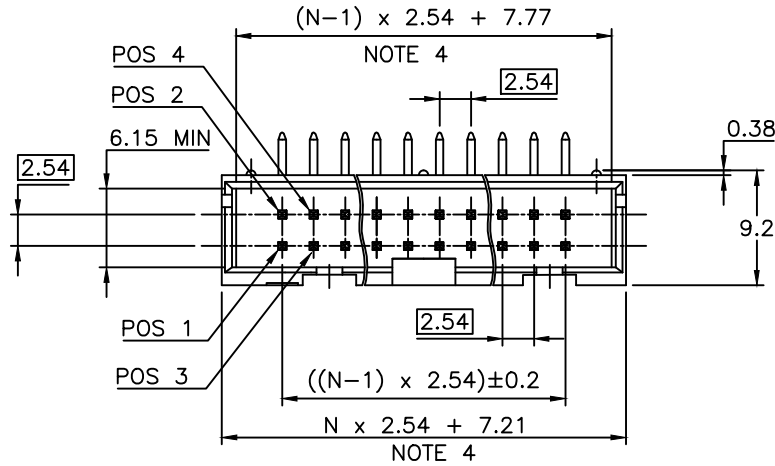


PRODUCT NUMBER
75867-YXXZLF

- RoHS COMPATIBLE, SEE NOTE 5
- COLOR OPTION, SEE NOTE 1
- PIN STYLE, SEE SHEET 2
- PLATING SEE SHEET 2

NOTES:

- 1 - HOUSING MAT'L : GLASS FILLED THERMOPLASTIC. UL94V-0 = STANDARD COLOR BLUE
B = OPTION COLOR BLACK
- 2 - PIN MATERIAL : PHOSPHOR BRONZE
- 3 - PACKAGING :
POLYBAGS FROM 2X02 TO 2X04 POSITIONS
TUBE FROM 2X05 TO 2X32 POSITIONS
- 4 - TO DETERMINE DIMENSIONS :
N = NUMBER OF POSITIONS PER ROW
EXAMPLE : 8 POS $N \times 2.54 = 20.32\text{mm}$
- 5 - RoHS COMPATIBLE PRODUCT SPECIFICATIONS
 - a - PLATING:
- "LF" MEANS THE PRODUCT IS LEAD-FREE, 2µm MINIMUM MATTE TIN OVER 1.27µm MINIMUM NICKEL UNDERPLATE.
 - b - MANUFACTURING PROCESS COMPATIBILITY
- THE HOUSING WILL WITHSTAND EXPOSURE TO 260°C ±5°C SOLDER BATH TEMPERATURE FOR 5 SECONDS IN A WAVE SOLDER APPLICATION WITH A 1.6mm MIN THICK CIRCUIT BOARD.
 - c - LABELLING:
- MEETS PACKAGING SPECS AS PER GS-14-920
 - d - LEGAL STATEMENT: SEE GS-47-0004



| | | | | | | | | | |
|-------------|----------|----------|----------|---------------------------------------|--------|------------|--|------------------|--|
| mat'l. code | | surface | | tolerance | | projection | | product family | |
| SEE NOTES | | ISO 1302 | | ISO 406 ISO 1101 | | mm | | QUICKIE | |
| ltr | ecn no | dr | date | tolerances unless otherwise specified | | mm | | title | |
| AJ | F06-0335 | LMU | 06.12.08 | angles | linear | mm | | SHR.LP.HEADER | |
| AK | F07-0198 | LMU | 07.05.30 | | | mm | | RA DR TMT | |
| AL | F08-0146 | YOV | 08.04.11 | | | mm | | scale 2.5:1 | |
| AM | F10-0258 | LMU | 10.12.15 | dr | D.LE | mm | | dwg no | |
| AN | B-19072 | LMU | 14.10.15 | enr | JM.C | mm | | sheet 1 of 2 | |
| AP | B-19093 | LMU | 14.10.16 | chr | JF.N | mm | | size | |
| AR | F-21731 | AMA | 15.08.20 | app | JM.C | mm | | 75867 | |
| sheet | revision | AR | AK | | | mm | | type | |
| index | sheet | 1 | 2 | | | mm | | CUSTOMER Drawing | |

STANDARD APPLICATION

| PIN STYLE | Nbr OF POSITIONS | LEFT POLARIZATION | RIGHT POLARIZATION |
|-----------|------------------|-------------------|--------------------|
| 30 | 2 x 2 | NO | NO |
| 31 | 2 x 3 | NO | NO |
| 32 | 2 x 4 | NO | NO |
| 01 | 2 x 5 | NO | YES |
| 02 | 2 x 7 | NO | YES |
| 03 | 2 x 8 | YES | YES |
| 04 | 2 x 10 | YES | YES |
| 05 | 2 x 13 | YES | YES |
| 33 | 2 x 15 | YES | YES |
| 06 | 2 x 17 | YES | YES |
| 07 | 2 x 20 | YES | YES |
| 08 | 2 x 25 | YES | YES |
| 09 | 2 x 30 | YES | YES |
| 10 | 2 x 32 | YES | YES |

PLATING :

- 1 = 0.76µm GOLD/GXT
(PdNi WITH GOLD FLASH) ON CONTACT AREA
2µm MIN MATTE TIN ON TAIL
- 2 = 2µm TIN MIN FULL PLATED
- 3 = 0.38µm GOLD/GXT
(PdNi WITH GOLD FLASH) ON CONTACT AREA
2µm MIN MATTE TIN ON TAIL

UNDERPLATE : 1.27µm Ni MIN

APPLICATION SPECIFIC

| PIN STYLE | Nbr OF POSITIONS | LEFT POLARIZATION | RIGHT POLARIZATION | OMIT PIN |
|-----------|------------------|-------------------|--------------------|----------|
| 13 | 2 x 17 | YES | YES | 5 |
| 14 | 2 x 20 | YES | YES | 19 |
| 34 | 2 x 5 | NO | YES | 5 |
| 35 | 2 x 10 | YES | YES | 19 |
| 36 | 2 x 20 | YES | YES | 10 |
| 37 | 2 x 20 | YES | YES | 11 |
| 38 | 2 x 20 | YES | YES | 20 |
| 39 | 2 x 5 | NO | YES | 10 |

PLATING :

- 1 = 0.76µm GOLD/GXT
(PdNi WITH GOLD FLASH) ON CONTACT AREA
2µm MIN MATTE TIN ON TAIL
- 2 = 2µm TIN MIN FULL PLATED
- 3 = 0.38µm GOLD/GXT
(PdNi WITH GOLD FLASH) ON CONTACT AREA
2µm MIN MATTE TIN ON TAIL

UNDERPLATE : 1.27µm Ni MIN

| | | | | | | | | | | | |
|-------------|----------|-------|----------|--|------|--|--|----------------|--|-------------------------------------|--|
| mat'l. code | | | | surface ISO 1302 <input checked="" type="checkbox"/> ISO 406 ISO 1101 | | tolerance tolerances unless otherwise specified | | projection | | product family QUICKIE | |
| ltr | ecn no | dr | date | angles | | linear | | mm | | title SHR.LP.HEADER RA DR TMT | |
| AJ | B-19093 | LMU | 14.10.16 | | | | | scale N/A | | dwg no 75867 | |
| AK | F-21731 | AMA | 15.08.20 | | | | | | | sheet 2 of - A3 | |
| AE | F04-0389 | JCO | 04.09.21 | dr | D.LE | 01.01.24 | | | | type CUSTOMER Drawing | |
| AF | F06-0229 | AH | 06.07.18 | enfr | JM.C | 01.01.24 | | | | | |
| AG | F07-0198 | LMU | 07.05.30 | chr | JF.N | 01.01.24 | | | | | |
| AH | F08-0146 | YOV | 08.04.11 | appd | JM.C | 01.01.24 | | | | | |
| sheet index | revision | sheet | | | | | | | | | |



Copyright FCJ