

D-Sub IDC

Female Connectors w/o strain relief,
with Rivet UNC 4/40



SPECIFICATION:

Current rating: 1 A
 Insulation resistance: 1000 MΩ min.
 Contact resistance: 15 mΩ max.
 Dielectric voltage: 500 V AC
 Operation temperature: -25 °C to +85 °C

MATERIAL:

Insulator: PBT black UL94V-0
 Shell: Steel
 Pins: Brass

FINISH:

Contacts: Gold plated
 Shell: Nickel or tin plated

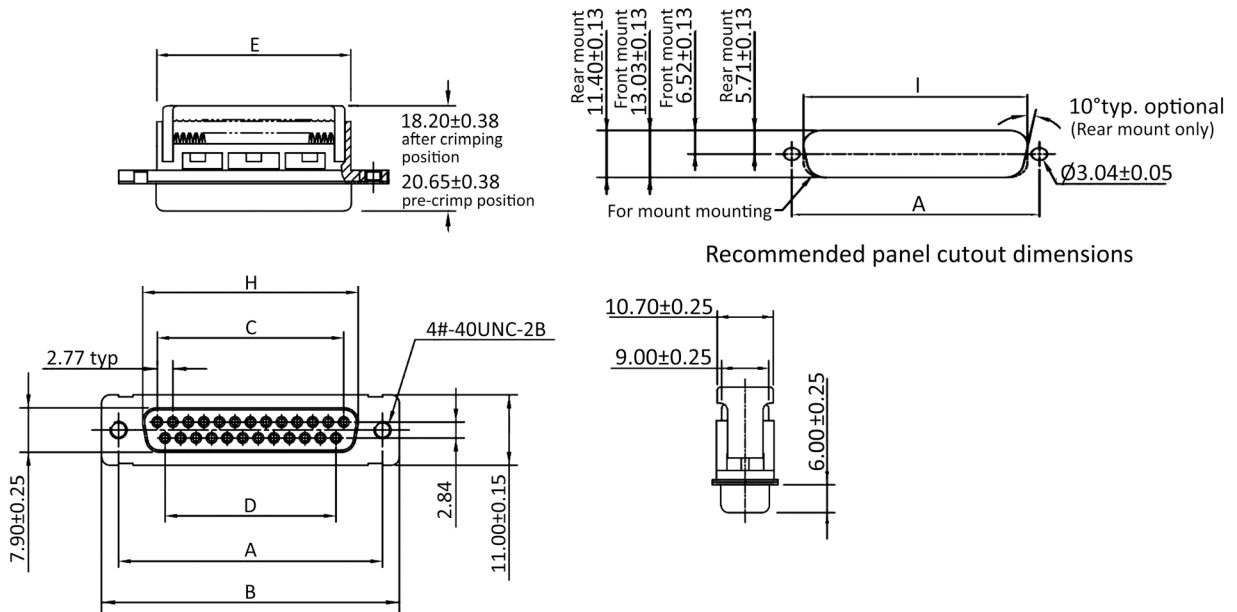
HANDLING:

Processing: IDC
 Packing: Tray

TOLERANCE:

.X ± 0.38
 .XX ± 0.25

RoHS
COMPLIANT



Dimensions

No. of contacts:	A:	B:	C:	D:	E:	H:	I rear:	I front:
9	24.99	30.80	11.08	8.31	16.10	16.33	20.47	22.20
15	33.32	39.10	19.39	16.62	24.00	24.66	28.80	30.53
25	47.04	53.09	33.24	30.47	38.14	38.38	42.52	44.27

Order-Information

Identifier:	No. of contacts:	Contact Plating:	Shell:	Mounting:	Version:
BU	#	S	K /	FG	OZ
D-Sub Female IDC	9: 9 pin 15: 15 pin 25: 25 pin	S: Selective	K: Metal Shell	FG: Thread Insert UNC4-40	OZ: w/o Strain Relief