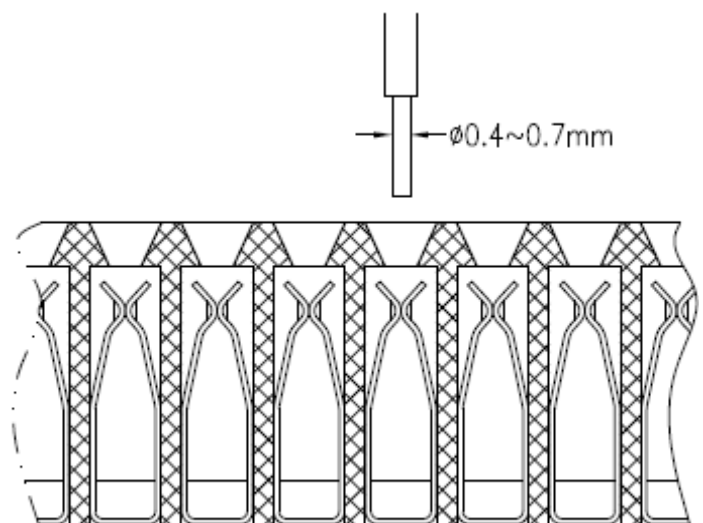
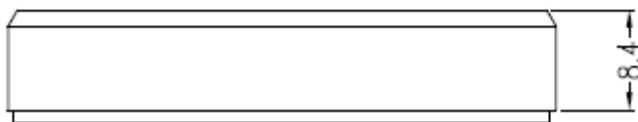
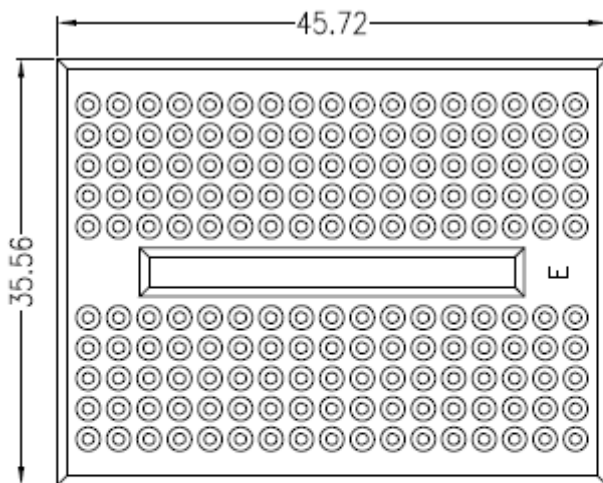


DATASHEET

SOLDERLESS BREADBOARD

Version 10/15

Item no. 1398699



SCALE 4.5:1

Material:POM Plastic
Heat Distortion Temperature:150°C
Spring Clip Contact:Phosphor Bronze
Finish:Nickel Plated
Insertion Range:Ø 0.4-0.7 mm
170 Tie-Point
Board Size:46 x 36 x 8 mm
Colour:Purple



This data sheet is a publication by Conrad Electronic SE, Klaus-Conrad-Str. 1, D-92240 Hirschau (www.conrad.com). All rights including translation reserved. Reproduction by any method, e.g. photocopy, microfilming, or the capture in electronic data processing systems require the prior written approval by the editor. Reprinting, also in part, is prohibited. This data represent the technical status at the time of printing. Changes in technology and equipment reserved.

© Copyright 2015 by Conrad Electronic SE.