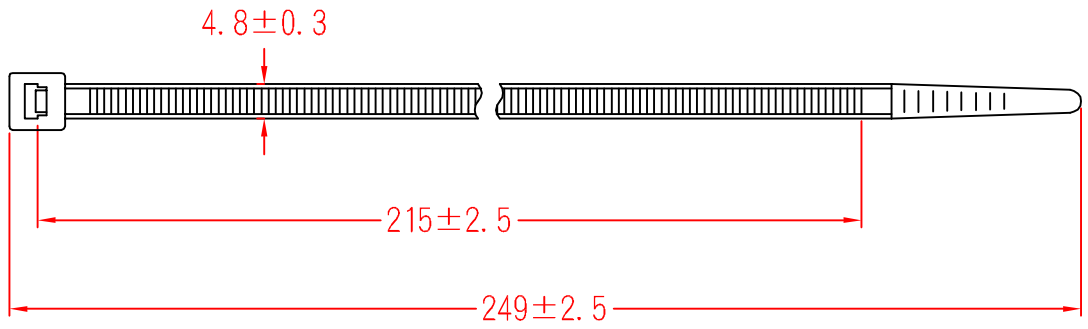
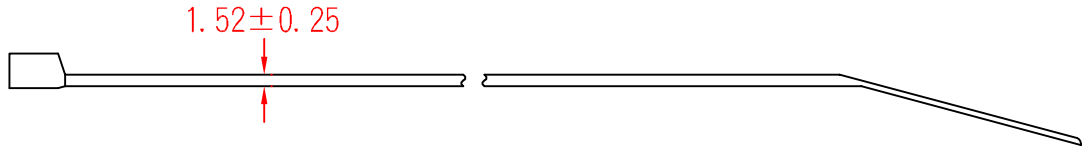




# CV-250



MATERIAL: UL 94V-2  
 NYLON 66

ITEM NO.  
 CV-250

SCALE

FINISH

NAME

NYLON CABLE TIE



( . . )

TOLERANCE  
 AS FIGURE



03-22-2007  
 DATE

REVISIONS K001

R.NO.

