

Red Dot Lasermodule

DD650-16-3(14x45)

Order Number: 70102055

Main Parameters (*)	min	typ	max	Unit
Wavelength		650		nm
Optical Output Power		16		mW
Operating Voltage	2.7	3	3.3	V DC
Operating Current	30	60	90	mA
Operating Temperature	-20		50	°C
Storage Temperature	-40		80	°C

Optical Parameters

Beam Shape	Dot
Laser Class	3B
Divergence	0.5mrad
Size of Laserdot	adjustable
Operating Distance	50m
Optics	glass lens AR coated
Laser technology	Single Mode Diode
Focus	adjustable

Technical Parameters

Lifetime	>5000h
RoHS	yes

Electrical Parameters

Potential of Housing	isolated
Power Supply	LFNT-3

Mechanical Parameters

Size	Ø14x45mm
Material	aluminium
Cable length	100mm
Wire type	Belden, Typ 1007, 26AWG
Output Aperture	5mm
Housing Color	black
Weight	16g
Stripping of wire	5mm

(*) Over the complete operating temperature range

Features





- Uniform illumination
- Operating Voltage 3V DC
- Laser Class 3B
- Compact size
- Adjustable focus

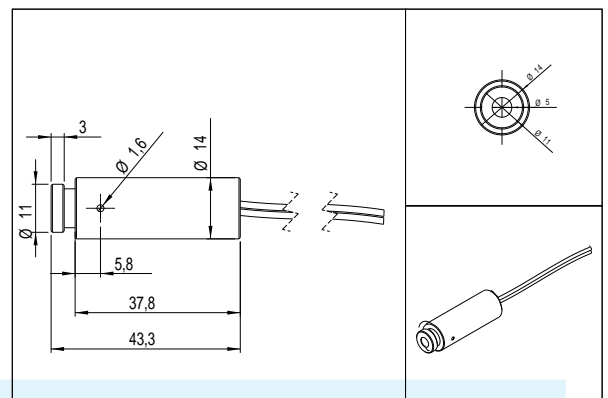
Picture



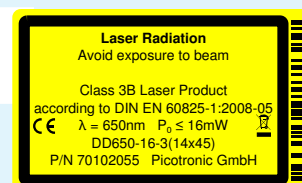
Cable Colors

Ground		black	GND
Positive		red	2.7 - 3.3, typ 3V DC

Drawing



Safety Label



Revision

REV 10 | 06-AUG-2015