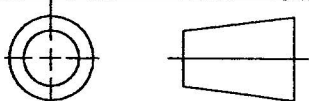


| | | |
|--|--------------|------|
| 3 | | |
| 2 | | |
| 1 | | |
| NO. | MODIFICATION | DATE |
|  | | |
| THIRD ANGLE PROJECTION | | |