

D-Sub High Density, PCB angled

Female Connectors with Threaded Bolt
UNC 4/40



SPECIFICATION:

Current rating: 3 A
 Insulation resistance: 1000 MΩ min.
 Contact resistance: 13 mΩ max.
 Dielectric voltage: 500 V AC
 Operation temperature: -55 °C to +105 °C

MATERIAL:

Insulator: PBT black UL94V-0
 Shell: Steel
 Pins: Copper alloy

FINISH:

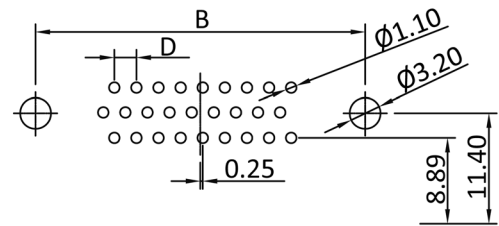
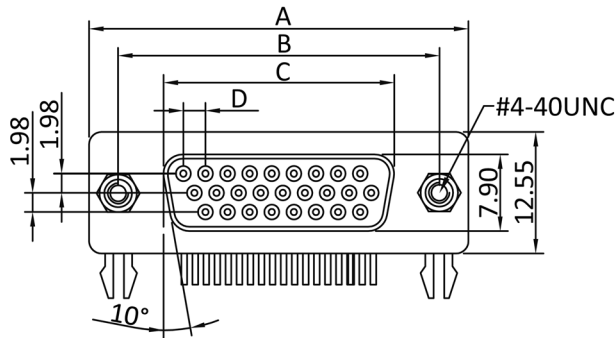
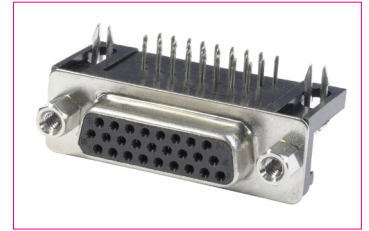
Contacts: Gold Flash
 Shell: Nickel plated

HANDLING:

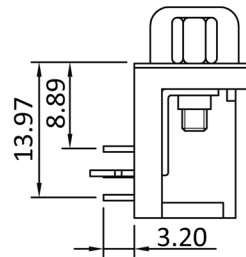
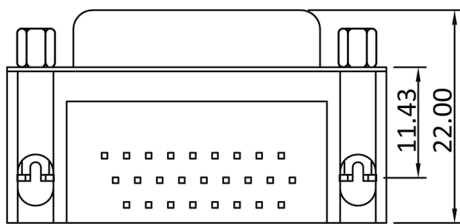
Processing: Wave soldering
 Packing: Tray

TOLERANCE:

.X ± 0.25
 .XX ± 0.20



Recommended PCB Layout
(PCB Tolerance ±0.05)



Dimensions

No. of contacts:	A:	B:	C:	D:
15	30.81	24.99	16.33	2.29
26	39.14	33.32	24.66	2.29
44	53.04	47.04	38.38	2.29
62	69.32	63.50	54.84	2.41

Order-Information

Identifier:	No. of contacts:	Version:
BU	#	HDW
D-Sub High Density Female with Solder Pins	15: 15 pin 26: 26 pin 44: 44 pin 62: 62 pol	HDW: High Density angled