

type no.:

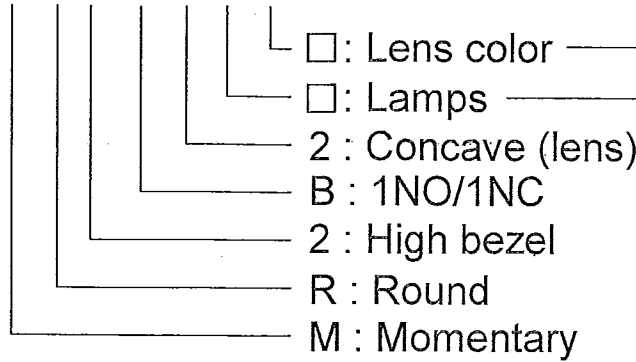
ADA16S6-MR2-B2□□

RoHS  
Compliant

CE

FU<sup>®</sup>  
US

10 DVE



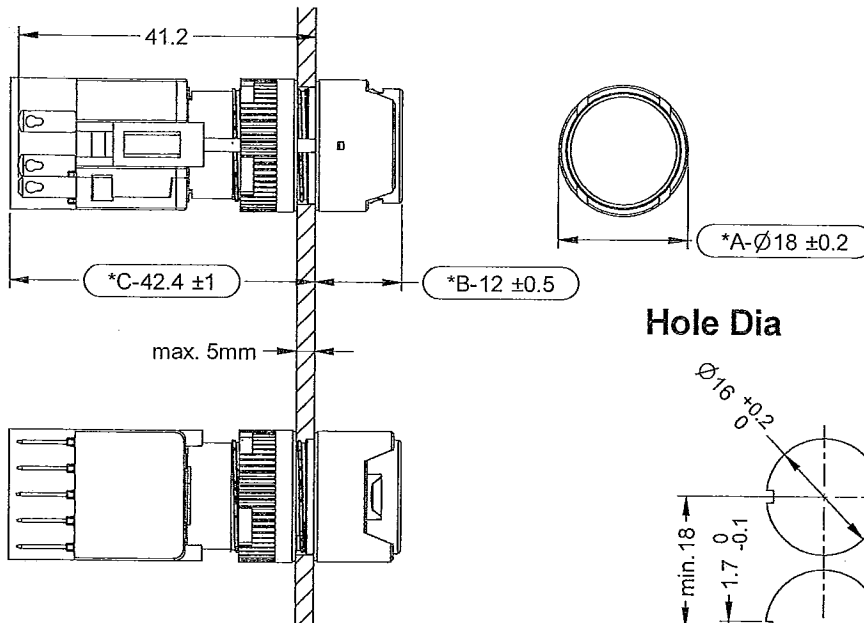
B : Blue  
 G : Green  
 O : Orange  
 R : Red  
 W : White  
 Y : Yellow

0 : Without lamps  
 A : Incandescent 6V AC/DC 200mA  
 B : Incandescent 14V AC/DC 80mA  
 C : Incandescent 28V AC/DC 40mA  
 F : Neon 110V/AC  
 G : Neon 220V/AC  
 H : LED 6V DC  
 J : LED 12V DC  
 K : LED 24V DC

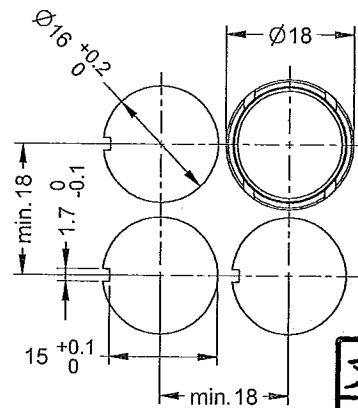
(Order no. codes)

order no.: ADA16S6-MR2-B2□□/□□□

**Soldering/Plug-in Type Pushbutton Switch**



**Hole Dia**

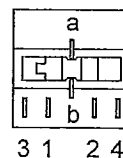


**Product Specifications**

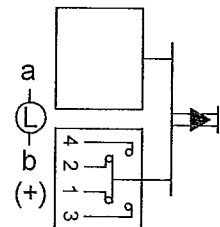
- Mechanical lifetime : >2 million operations (momentary)
- Electric rating : 250V AC 5A(VDE) 125V AC 8A
- Dielectric strength : >1500V 60Hz 1min. between all terminals
- Motion tolerance : <60 operation/min.
- Panel thickness : 0.5mm ~ 5mm
- Degree of protection : IP 65
- Storage temperature : -40°C to +70°C
- Operating temperature: -25°C to +55°C with lamp  
 (-25°C to +70°C without lamp)
- Contact resistance : 20mΩ (initial)

文件管制  
 JUN 20, 2012  
 文管中心

**Bottom View**



**Electrical Diagram**



Distributed by Conrad Electronic SE

**DECA<sup>®</sup> SwitchLab Inc.**

CONFIRMED &  
ACCEPTED BY:

DRAWING NO.	ADA16S6-MR2-B2xx	VERSION	C	CONFIRMED BY	<i>W. Domb</i>
SHEET OF	1/1	METRIC	M M	GENERAL MANAGER	<i>J. D. ...</i>
DRAWN BY	<i>Figlio</i>	DATE	2012/06/20		

up date

單據編號 : QR-0703-08

版次 : A版