

MICRO SWITCHES



DF SERIES

SPECIFICATIONS

Contact Resistance (initial)

Max. 100mΩ

Measured by ohm meter - open voltage < 1VDC, driver current -100 mA

Insulation Resistance (at 500VDC/minute)

Min. 100MΩ

Dielectric Strength

1000VAC (50~ 60Hz)

Operating Temperature Range

-40°C to 85°C (with no icing)

Vibration

10~55Hz, displacement 0.75 mm (p-p)

Electrical Service Life

0.1A - Min. 1,000,000 operations

3A - Min. 10,000 operations

Electrical Operating Frequency

0.1A - 120 operations per minute

3A - 10~30 operations per minute

Mechanical Service Life

Min. 1,000,000 operations

Mechanical Operating Frequency

120 operations per minute

THE SELECTION OF RATING & FORCE

MODEL	Rating	L	S
DF	0.1A	*	*
	3A	*	*

NOTE : The Symbol " * " to represent the result is accepted

RATING

0.1A 125VAC , 0.1A 30VDC

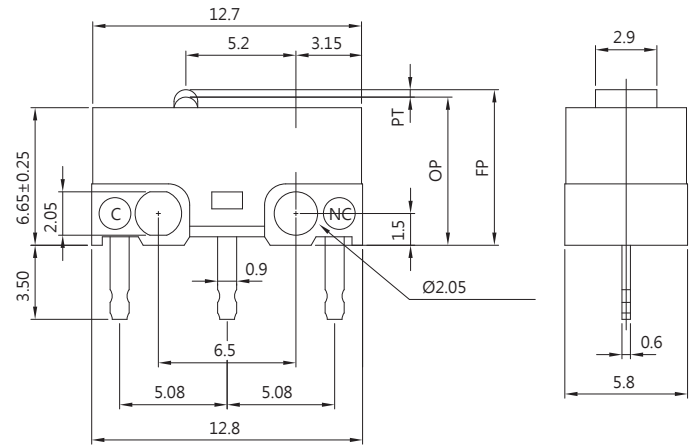
3A 125VAC , 3A 24VDC

APPLICATIONS

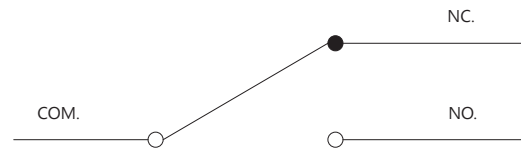
Mouses, Joysticks, Small home appliances, Central heating control

DIMENSIONS

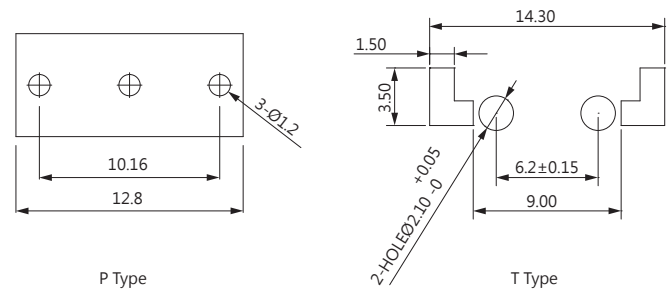
Unless otherwise specified, a tolerance of ±0.4mm applies to all dimensions.



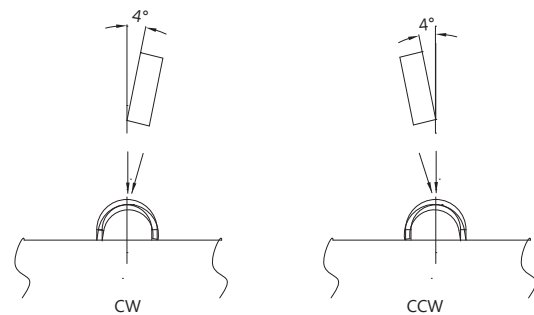
CONTACT CONFIGURATION



MOUNTING HOLES



PRESSING DIRECTION IS SUGGESTED TO BE VERTICAL AND WITH +/- 4

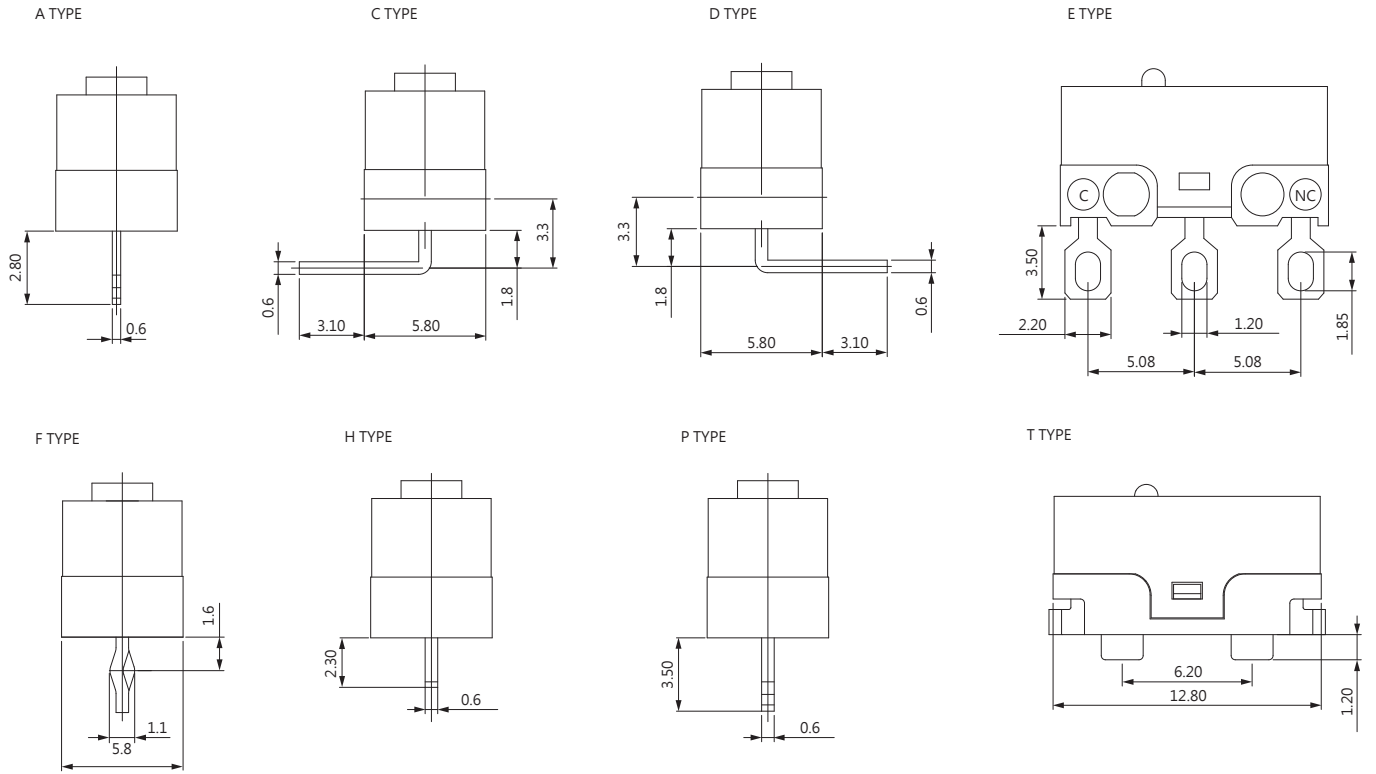


Available for the model that mouse has stoppers added more than Min.0.1mm

CERTIFICATE INFORMATION

Model Name	UL, cUL	ENEC14
DF-P1	0.1A 125VAC / 60VDC (Temp:65°C), Min. 6,000 operations	0.1A 125VAC, u 1E4
DF-G1	0.1A 125VAC / 60VDC (Temp:65°C), Min. 6,000 operations	Non
DF-03	3A 125VAC (Temp:65°C) Min. 6,000 operations	3A 125VAC, u 1E4
DF-G3	3A 125VAC (Temp:65°C) Min. 6,000 operations	Non
DF-D3	3A 5VDC / 12VDC (Temp:65°C) Min. 10,000 operations	Non

TERMINAL TYPES



ORDERING INFORMATION

